

AIR RELEASE VALVE

## SKSA – Sewage Combination Air Release Valve (Anti-Shock)

REF **EFC-342** ISSUED 11 Jun 2026

### SPECIFICATIONS

Size	<b>DN25–DN100</b>
Pressure	<b>PN10–PN16</b>
End connection	<b>flanged (EN 1092-2) / flanged (EN 1092-2)</b>

### STANDARDS

Design	<b>EN 1074-4</b>
--------	------------------

### APPROVALS & CERTIFICATIONS

- ISO 9001

### APPLICATIONS

- Sewage rising mains
- Force mains
- Wastewater pump stations
- Municipal sewer networks

### FEATURES

- The SKSA is a sewage air release valve for pressurised sewage rising mains and force mains
- The single-chamber design provides continuous small-orifice air release under operating pressure, venting accumulated air pockets to maintain hydraulic efficiency
- The ball float mechanism resists clogging from fibres, greases and solids in municipal wastewater service
- Compact body profile suits installations where space above the main is limited

### PRESSURE-TEMPERATURE RATING

CLASS	TEMPERATURE	MAX PRESSURE
—	-10°C	16 bar
—	80°C	16 bar

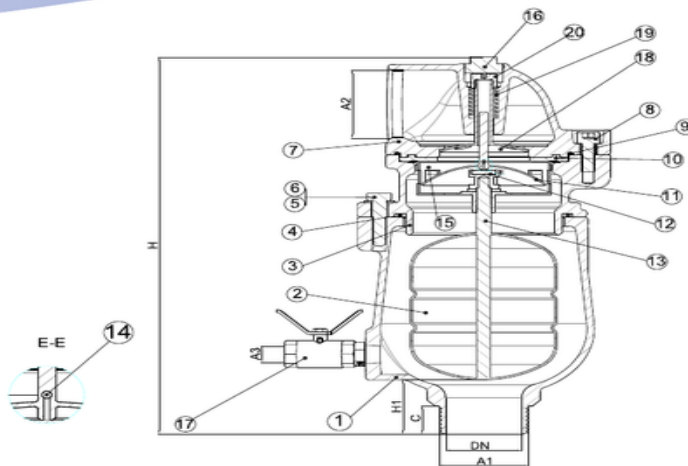


AIR RELEASE VALVE

# SKSA – Sewage Combination Air Release Valve (Anti-Shock)

SECTION Technical drawing 1 of 3 REF EFC-342

DN50



Dimension						
DN	A1	A2	A3	C	H1	H
50	G2"	G2"	BSPT3/8"	25	48	333.5

Parts List

No.	Part Name	Material	Standard
1	Body	Ductile Iron	EN GJS 500-7
2	Float	Stainless Steel	AISI 316
3	Middle Part	Ductile Iron	EN GJS 500-7
4	O-Ring	Rubber	NBR
5	Hex Bolt	Stainless Steel	AISI 316
6	Washer	Stainless Steel	AISI 316
7	Bonnet	Ductile Iron	EN GJS 500-7
8	Screw	Ductile Iron	EN GJS 500-7
9	O-Ring	Rubber	NBR
10	Seat	Rubber	NBR
11	Sealing Arc	Stainless Steel	AISI 316
12	Nozzle Seat	Rubber	NBR
13	Stem	Stainless Steel	AISI 316
14	Small Nozzle	Stainless Steel	AISI 316
15	Guide Barrel	Stainless Steel	AISI 316
16	Plug	Stainless Steel	AISI 316
17	Butterfly ball valve	Stainless Steel	AISI 316
18	Anti Shock Device	Stainless Steel	AISI 316
19	Spring	Stainless Steel	AISI 316
20	Nut	Stainless Steel	AISI 316

™Copy right by Alpine Flow Control (Suzhou) Co.,Ltd ST-EN/1008/ STD 01/ 2/2  
AFC reserves the right to change design/ specifications without further notices.

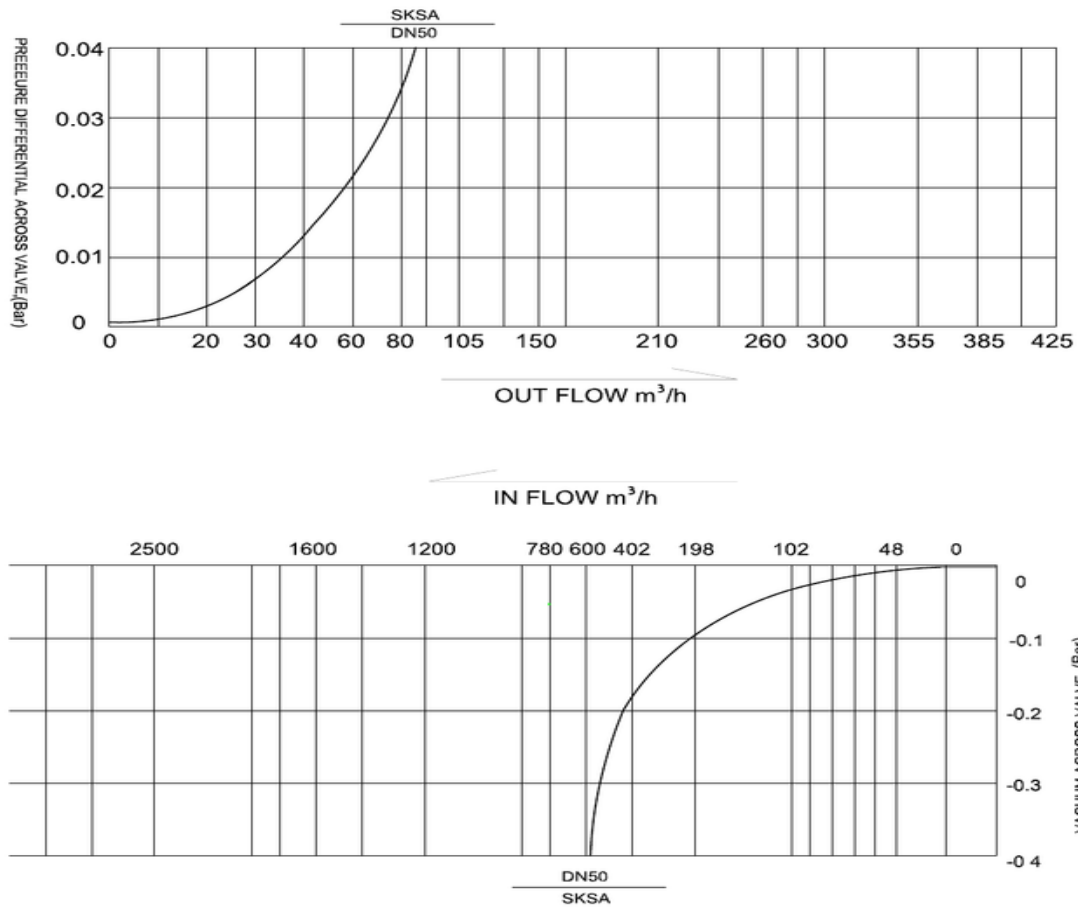
AIR RELEASE VALVE

# SKSA – Sewage Combination Air Release Valve (Anti-Shock)

SECTION Technical drawing 2 of 3 REF EFC-342



## BIG NOZZLE EXHAUSTING / INTAKE



\* AFC keeps the right to change dimension without further notice.

™Copy right by Alpine Flow Control (Suzhou) Co.,Ltd ST-EN/1008/ STD 01/ 2/2  
AFC reserves the right to change design/ specifications without further notices.



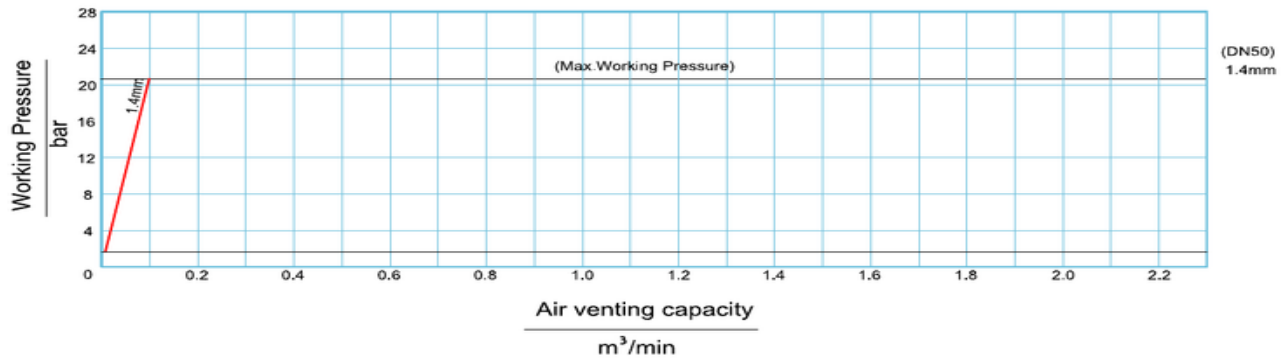
AIR RELEASE VALVE

# SKSA – Sewage Combination Air Release Valve (Anti-Shock)

SECTION Technical drawing 3 of 3 REF EFC-342

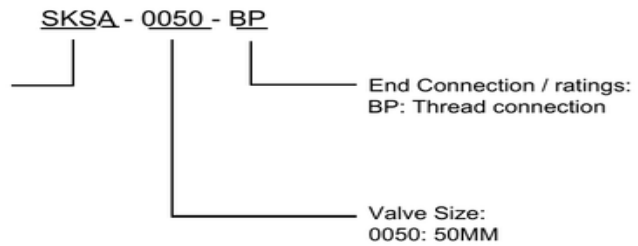


## SMALL ORIFICE VENTING



### Ordering Code

Model:  
SKSA- Anti-shock Sewage  
combination air valve



™Copy right by Alpine Flow Control (Suzhou) Co.,Ltd ST-EN/1008/ STD 01/ 2/2  
AFC reserves the right to change design/ specifications without further notices.



AIR RELEASE VALVE

## SKSA – Sewage Combination Air Release Valve (Anti-Shock)

SECTION Dimensions per size REF EFC-342

SIZE	A1	A2	A3	C	H1	H
DN50	G2" thread	G2" thread	BSPT3/8" thread	25	48	333.5

*All dimensions in millimetres unless stated otherwise. Values are nominal; tolerances confirmed at quote.*