

AIR RELEASE VALVE

# SKAS – Sewage Combination Air Release Valve

REF **EFC-341** ISSUED 11 Jun 2026

## SPECIFICATIONS

Size	<b>DN25–DN200</b>
Pressure	<b>PN10–PN16</b>
End connection	<b>flanged (EN 1092-2) / flanged (EN 1092-2)</b>

## STANDARDS

Design	<b>EN 1074-4</b>
--------	------------------

## APPROVALS & CERTIFICATIONS

- ISO 9001

## APPLICATIONS

- Gravity sewers
- Sewage rising mains
- Combined sewer systems
- Wastewater networks

## FEATURES

- The SKAS provides combined air release and vacuum breaking for sewage systems operating under both gravity and pressurised conditions
- Non-clog internals and a ball float resist fouling from wastewater constituents
- Vacuum break function protects pipe walls from collapse during drain-down or sudden pump shutdown

## PRESSURE-TEMPERATURE RATING

CLASS	TEMPERATURE	MAX PRESSURE
—	-10°C	16 bar
—	80°C	16 bar

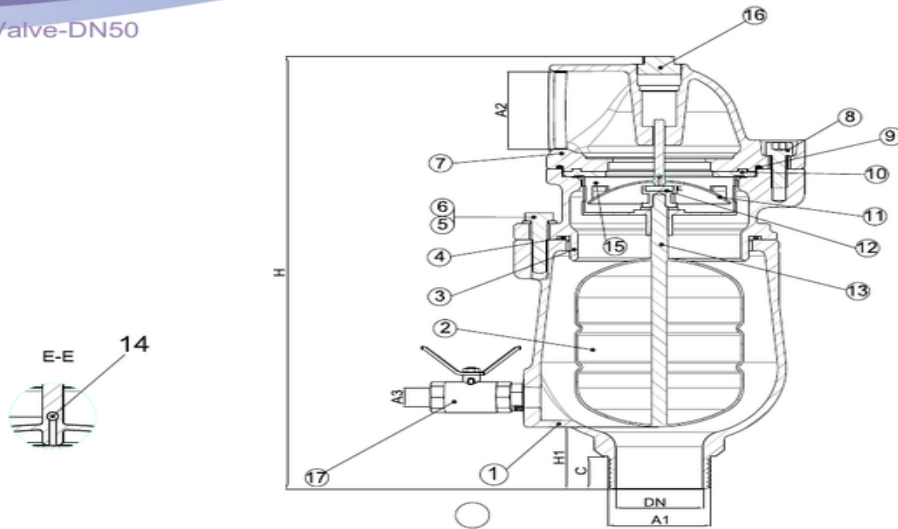


AIR RELEASE VALVE

# SKAS – Sewage Combination Air Release Valve

SECTION Technical drawing 1 of 3 REF EFC-341

Main Valve-DN50



Parts List

No.	Part Name	Material	Standard
1	Body	Ductile Iron	EN GJS 500-7
2	Float	Stainless Steel	AISI 316
3	Middle Part	Ductile Iron	EN GJS 500-7
4	O-Ring	Rubber	NBR
5	Hex Bolt	Stainless Steel	AISI 316
6	Washer	Stainless Steel	AISI 316
7	Bonnet	Ductile Iron	EN GJS 500-7
8	Screw	Ductile Iron	EN GJS 500-7
9	O-Ring	Rubber	NBR
10	Seat	Rubber	NBR
11	Sealing Arc	Stainless Steel	AISI 316
12	Nozzle Seat	Rubber	NBR
13	Stem	Stainless Steel	AISI 316
14	Small Nozzle	Stainless Steel	AISI 316
15	Guide Barrel	Stainless Steel	AISI 316
16	Plug	Stainless Steel	AISI 316
17	Butterfly ball valve	Stainless Steel	AISI 316

™Copy right by Alpine Flow Control (Suzhou) Co.,Ltd ST-EN/1008/ STD 01/ 2/2  
AFC reserves the right to change design/ specifications without further notices.

AIR RELEASE VALVE

# SKAS – Sewage Combination Air Release Valve

SECTION Technical drawing 2 of 3 REF EFC-341

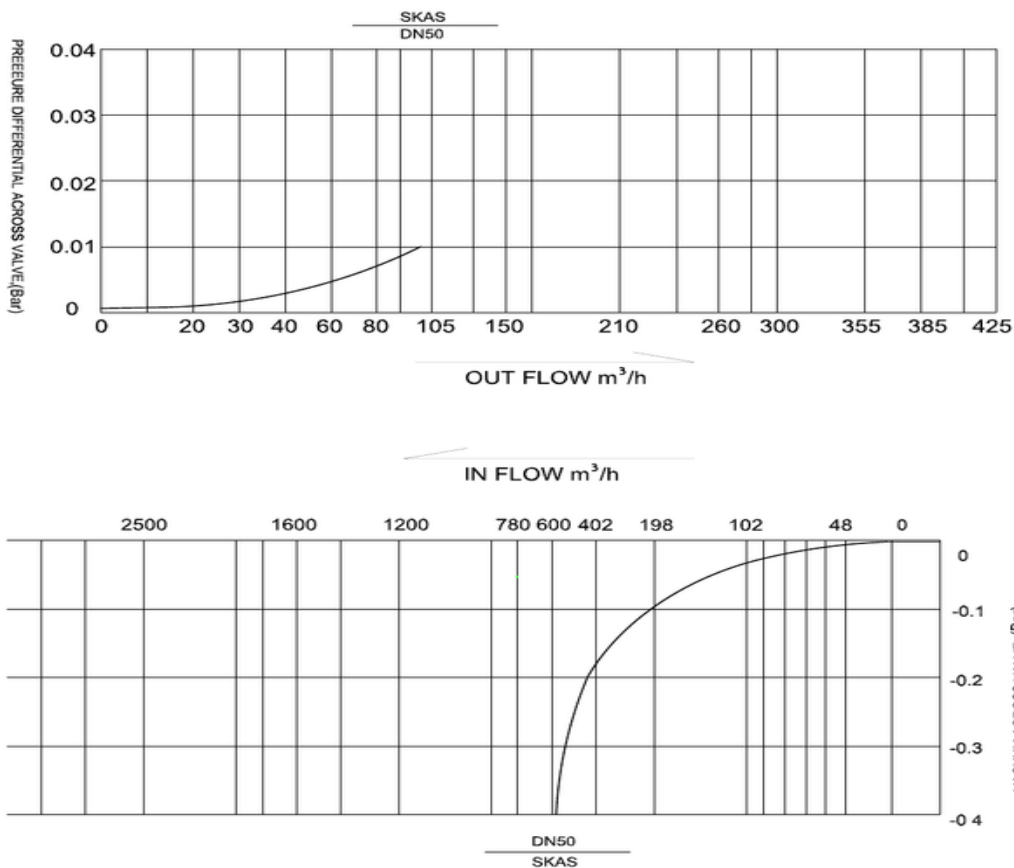


Dimension

Unit: MM

Dimension						
DN	A1	A2	A3	C	H1	H
50	G2"	G2"	BSPT3/8"	25	48	333.5

## BIG NOZZLE EXHAUSTING / INTAKE



\* AFC keeps the right to change dimension without further notice.

™Copy right by Alpine Flow Control (Suzhou) Co.,Ltd ST-EN/1008/ STD 01/ 2/2  
AFC reserves the right to change design/ specifications without further notices.



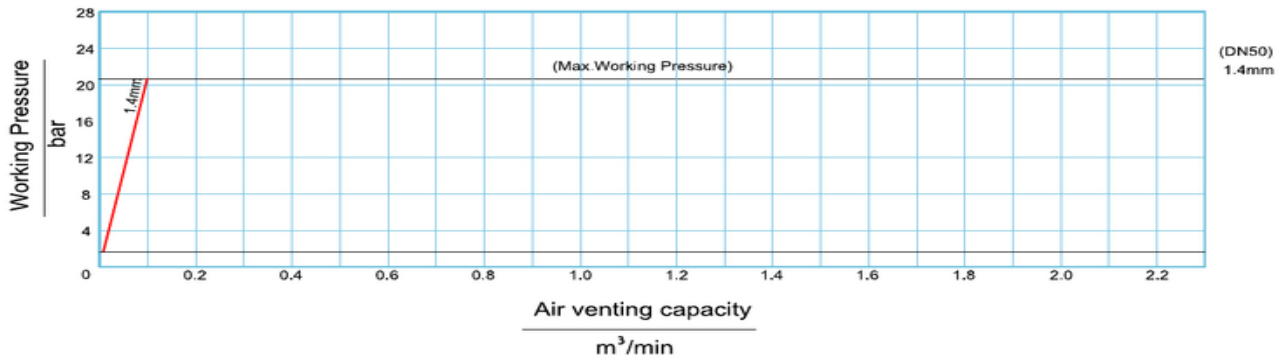
AIR RELEASE VALVE

# SKAS – Sewage Combination Air Release Valve

SECTION Technical drawing 3 of 3 REF EFC-341

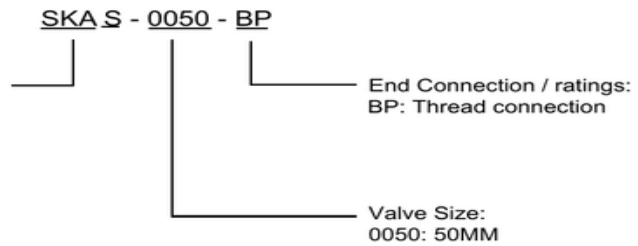


## SMALL ORIFICE VENTING



### Ordering Code

Model:  
SKAS- Sewage combination air valve



™Copy right by Alpine Flow Control (Suzhou) Co.,Ltd ST-EN/1008/ STD 01/ 2/2  
AFC reserves the right to change design/ specifications without further notices.



AIR RELEASE VALVE

## SKAS – Sewage Combination Air Release Valve

SECTION Dimensions per size REF EFC-341

SIZE	A1	A2	A3	C	H1	H
DN50	G2" inch	G2" inch	BSPT3/8" inch	25	48	333.5

*All dimensions in millimetres unless stated otherwise. Values are nominal; tolerances confirmed at quote.*