

STRAINER

Y Type Strainer

REF **EFC-334** ISSUED 05 Jun 2026

SPECIFICATIONS

Size	DN40–DN600
Pressure	PN10–PN16
End connection	flanged (EN1092-2 / BS4504)
Face-to-face	DIN F1
Media	water, neutral liquids, oil, gas

STANDARDS

Design	BS EN558-1, BS2080
Test	EN-12266-1

APPROVALS & CERTIFICATIONS

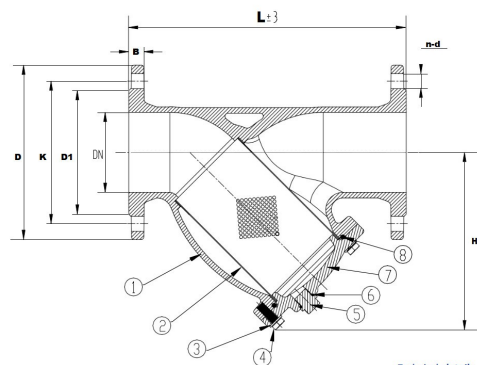
- WRAS (Whole product approved for drinking water)
- EN1092-2
- BS4504
- PN10/16
- BS2080 (face-to-face)
- DIN-F1 (face-to-face)
- WRAS Approved Product
- ISO 9001
- ISO 45001
- ISO 14001

COATINGS & LINING

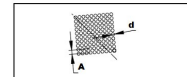
- Potable water approved epoxy coating, fusion bonded according DIN 3476-1, EN 14901

APPLICATIONS

- Water and neutral liquid applications
- Main transmission pipelines
- Irrigation systems



perforated screen hole dimension



Technical details

8	O Ring	NBR
7	Bonnet	DUCTILE IRON
6	O Ring	NBR
5	Plug	SS AISI304
4	Bolt	SS AISI304
3	Flat Washer	SS AISI304
2	Screen	SS AISI304
1	Body	DUCTILE IRON

- Fire fighting

MATERIALS

body	Ductile Iron	screen	Stainless Steel
o ring	Elastomer	Body	Ductile Iron
Screen	SS AISI 304	O Ring (items 6 and 8)	NBR
Bonnet	Ductile Iron		

FEATURES

- Screen superficial area is 4 times the relative pipe area, providing low flow resistance
- Blind cover fitted with drain plug for in-situ drainage of collected impurities without cover removal
- Removable filter cartridge for cleaning and reinstallation
- EPDM O-ring approved for drinking water
- Double flanged ends
- Water mesh: 18–30 mesh; air/gas mesh: 10–100 mesh; oil mesh: 100–480 mesh
- Y-pattern strainer body with flanged ends
- Perforated screen; hole pitch dimension A and hole diameter d tabulated per DN
- Removable bonnet secured by bolts with flat washers for screen access and cleaning
- Drain plug fitted to bottom of screen chamber
- Face-to-face tolerance ± 3 mm
- Flange bolt-hole count and diameter (n-d) varies by DN

OPTIONS & NOTES

- Other size and pressure are available as special request
- Other materials are available as special request