

GATE VALVE

Resilient Seated Gate Valve

REF **EFC-328** ISSUED 05 Jun 2026

SPECIFICATIONS

Size	DN40–DN300
Pressure	PN10–PN25
End connection	flanged (EN 1092-2) / flanged (EN 1092-2) / flanged (BS4504)
Face-to-face	BS5163
Media	water, waste water, sewage, neutral liquids

ACTUATION

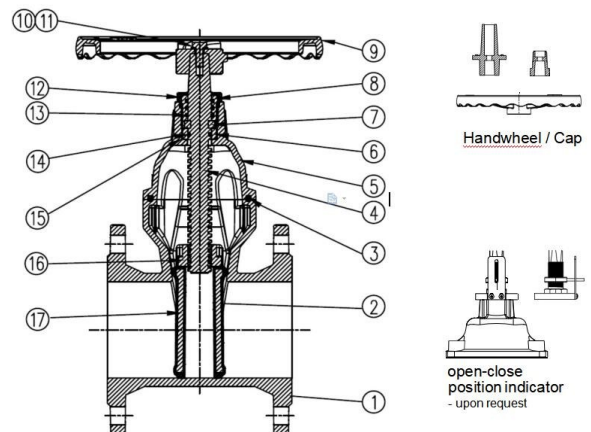
- manual handwheel — Ductile Iron or steel handwheel; clockwise closing (CWC) standard, anticlockwise closing on request
- square cap — DIN square cap or BS square cap
- extension spindle — Extension spindle available

STANDARDS

Design	EN-1074
Test	EN-12266-1 Class A

APPROVALS & CERTIFICATIONS

- WRAS (EPDM disc and elastomer components (optional))
- ACS
- CE
- ISO 9001, ISO 14001, ISO 45001
- ICIM EN1074
- WRAS Approved Product



COATINGS & LINING

- Potable water approved epoxy coating, fusion bonded per DIN 3476-1 and EN 14901

APPLICATIONS

- Water and neutral liquid isolation
- Main transmission pipelines
- Irrigation systems
- Fire fighting

MATERIALS

body	Ductile Iron	disc	Ductile Iron / Elastomer
bonnet gasket	Elastomer	stem	Stainless Steel
bonnet	Ductile Iron	thrust washer	Copper Alloy
holding ring	Copper Alloy	thrust nut	Copper Alloy
handwheel cap	Ductile Iron	handwheel bolt	Stainless Steel
flat washer	Stainless Steel	dust cover	Elastomer
O-ring	Elastomer	stem nut	Copper Alloy
disc	Ductile Iron	bonnet bolts	Carbon Steel, Stainless Steel

FEATURES

- Non-rising stem with brass nut type
- Full bore design; bi-directional operation
- Self-cleaning sealing surface on each opening cycle
- Class A sealing (zero leakage) per EN-12266-1
- 100% factory hydraulic testing before dispatch
- Bonnet sealing parts replaceable with valve fully open while in-line
- O-ring bonnet gasket wraps each bolt to prevent corrosion
- Bonnet bolts in galvanised carbon steel sealed with hot melt; other materials on request
- Linear sealing design providing lower closing torque
- Clockwise closing as standard; anticlockwise closing available on request
- Fusion-bonded epoxy internal and external coating approved for potable water
- Non-rising stem (NRS) gate valve with resilient-seated wedge gate
- Flanged end connections
- Handwheel or square cap operation
- Optional open-close position indicator
- Top flange with bare shaft for gearbox or electric actuator
- Planet gear option available for DN250 and above
- Extension spindle and telescopic extension spindle available as accessories
- Extension spindle available with protection tube
- Operating T-key accessory available
- Spindle taper angle: 6 degrees
- Gearbox mounting bracket bolt material: grade 8.8 stainless steel (inox)
- Extension spindle installation: max. 50 degrees from vertical
- 17-part sectional construction (parts numbered 1–17 in diagram)
- Performance: Max. torque (telescopic extension spindle) DN50-125: 200 Nm
- Performance: Max. torque (telescopic extension spindle) DN150-400: 400 Nm
- Performance: Max. torque (telescopic extension spindle) DN450-600: 500 Nm
- Performance: Max. load on extension spindle: 200 kg
- Performance: Planet gear DN250: gear ratio 3:1, valve torque 260 N.m (incl. 30% safety factor), output torque after gear 87 N.m, number of turns (valve) 23, number of turns after planet gear 69
- Performance: Planet gear DN300: gear ratio 4:1, valve torque 325 N.m, output torque 81 N.m, turns (valve) 27, turns (after gear) 108
- Performance: Planet gear DN350: gear ratio 4:1, valve torque 390 N.m, output torque 98 N.m, turns (valve) 30.5, turns (after gear) 122
- Performance: Planet gear DN400: gear ratio 4:1, valve torque 455 N.m, output torque 114 N.m, turns (valve) 34.5, turns (after gear) 138
- Performance: Planet gear DN450: gear ratio 4:1, valve torque 520 N.m, output torque 130 N.m, turns (valve) 28.0, turns (after gear) 112
- Performance: Planet gear DN500: gear ratio 4:1, valve torque 585 N.m, output torque 146 N.m, turns (valve) 32.5, turns (after gear) 130
- Performance: Planet gear DN600: gear ratio 4:1, valve torque 780 N.m, output torque 195 N.m, turns (valve) 34.5, turns (after gear) 138
- Performance: Planet gear DN700: gear ratio 6:1, valve torque 910 N.m, output torque 152 N.m, turns (valve) 40, turns (after gear) 240
- Performance: Planet gear DN800: gear ratio 6:1, valve torque 1040 N.m, output torque 173 N.m, turns (valve) 45, turns (after gear) 270
- Performance: Planet gear DN1000: gear ratio 6:1, valve torque 1170 N.m, output torque 195 N.m, turns (valve) 63.5, turns (after gear) 381
- Performance: Planet gear DN1200: gear ratio 6:1, valve torque 1056 N.m, output torque 176 N.m, turns (valve) 101, turns (after gear) 608

OPTIONS & NOTES

- Anticlockwise closing upon request
- Ductile Iron GJS 400-7 body/bonnet upon request
- WRAS Approved EPDM disc, gasket and O-rings upon request
- Alternative stem materials (AISI 431 / 304 / 316 / 316L / Duplex) upon request
- Bronze / Dezincification Brass for thrust washer, holding ring, thrust nut, stem nut upon request
- Stainless Steel AISI 316 handwheel bolt and flat washer upon request
- Stainless Steel AISI 304 / 316 bonnet bolts upon request
- Other bonnet bolt materials upon request

GATE VALVE

Resilient Seated Gate Valve

SECTION Dimensions per size REF EFC-328

SIZE	L_BS5163L	DIN_F4L	DIN_F5	HAND- WHEEL_DIA	HFLANGE_B	L_RNCE_16	L_RNCE_16	DN100	L_RNCE_16	L_RNCE_16	L_RNCE_16	L_RNCE_16	L_RNCE_16	L_RNCE_16	L_RNCE_16	L_RNCE_16	L_RNCE_16	SWITCHING_TURNS- ING_TORQ
DN40	165	140	240	200	215	150	110	4-Æ19	19	3	150	110	4-Æ19	19	3	9	30 N.m	
DN50	178	150	250	200	215	165	125	4-Æ19	19	3	165	125	4-Æ19	19	3	9	40 N.m	
DN65	190	170	270	200	250	185	145	4-Æ19	19	3	185	145	8-Æ19	19	3	10	50 N.m	
DN80	203	180	280	200	275	200	160	8-Æ19	19	3	200	160	8-Æ19	19	3	12	60 N.m	
DN100	229	190	300	254	320	220	180	8-Æ19	19	3	235	190	8-Æ23	19	3	12	80 N.m	
DN125	254	200	325	315	365	250	210	8-Æ19	19	3	270	220	8-Æ28	19	3	14.5	100 N.m	
DN150	267	210	350	315	400	285	240	8-Æ23	19	3	300	250	8-Æ28	20	3	17	120 N.m	
DN200	292	230	400	315	495	200	160	8--	20	3	360	310	12-Æ28	22	3	18.5	150 N.m	
								Æ23/12-Æ23										
DN250	330	250	450	406	590	220	180	12--	22	3	425	370	12-Æ31	24.5	3	23	200 N.m	
								Æ23/12-Æ28										
DN300	356	270	500	406	670	250	210	12--	24.5	4	485	430	16-Æ31	27.5	4	27	250 N.m	
								Æ23/12-Æ28										

All dimensions in millimetres unless stated otherwise. Values are nominal; tolerances confirmed at quote.