

AIR VALVE

# Air Valve triple function nonslam

REF **EFC-323** ISSUED 05 Jun 2026

## SPECIFICATIONS

Size	<b>DN50–DN200</b>
Pressure	<b>PN10–PN25</b>
End connection	<b>flanged (EN1092-2 / BS4504) / flanged (EN1092-2 / BS4504) / flanged (ANSI)</b>
Media	<b>water</b>

## STANDARDS

Design	<b>EN-1074/4, AWWA C-512</b>
Test	<b>EN-12266-1 class A</b>

## APPROVALS & CERTIFICATIONS

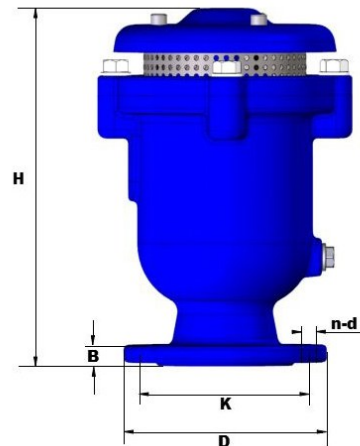
- WRAS Approved Material
- ISO 9001
- ISO 14001

## COATINGS & LINING

- Internal and external fusion bond epoxy coating

## APPLICATIONS

- Water distribution system
- Main transmission pipeline
- Irrigation system
- Fire fighting
- Submerged applications



## MATERIALS

Body	<b>Ductile Cast Iron</b>	Bushing	<b>Stainless Steel</b>
Floating Ball	<b>Stainless Steel</b>	Disc	<b>Stainless Steel</b>
Sealing Ring	<b>Elastomer</b>	O-Ring	<b>Elastomer</b>
Seat	<b>Ductile Cast Iron</b>	Screen	<b>Stainless Steel</b>
Cap	<b>Ductile Cast Iron</b>	Guide Shaft	<b>Brass, Stainless Steel</b>
Drain Valve	<b>Stainless Steel</b>	stem	<b>Bronze, Stainless Steel</b>
bonnet	<b>Ductile Iron</b>		

## FEATURES

- Self-operating float type
- Discharges large air flow from water pipeline during filling
- Admits large air flow into water pipeline during draining
- Purges entrapped air from pipeline under pressure
- Anti-water hammer (non-slam) system
- Anti-insect screen (SS304)
- Full bore body design
- Low pressure sealing at 0.2 bar
- Stainless steel float (SS304/SS316)
- Smooth cage outside float; float guided in specified guide rail
- Optional outlet for submerged applications
- Combination air valve (dual-function: large orifice air release/intake + small orifice automatic air release)
- Flanged end connection
- Perforated stainless steel mesh screen/guard over air outlet
- Float ball actuates small-orifice needle valve for continuous air release under pressure
- Large orifice opens for bulk air intake/exhaust during pipeline filling/draining
- Side-mounted drain/test plug

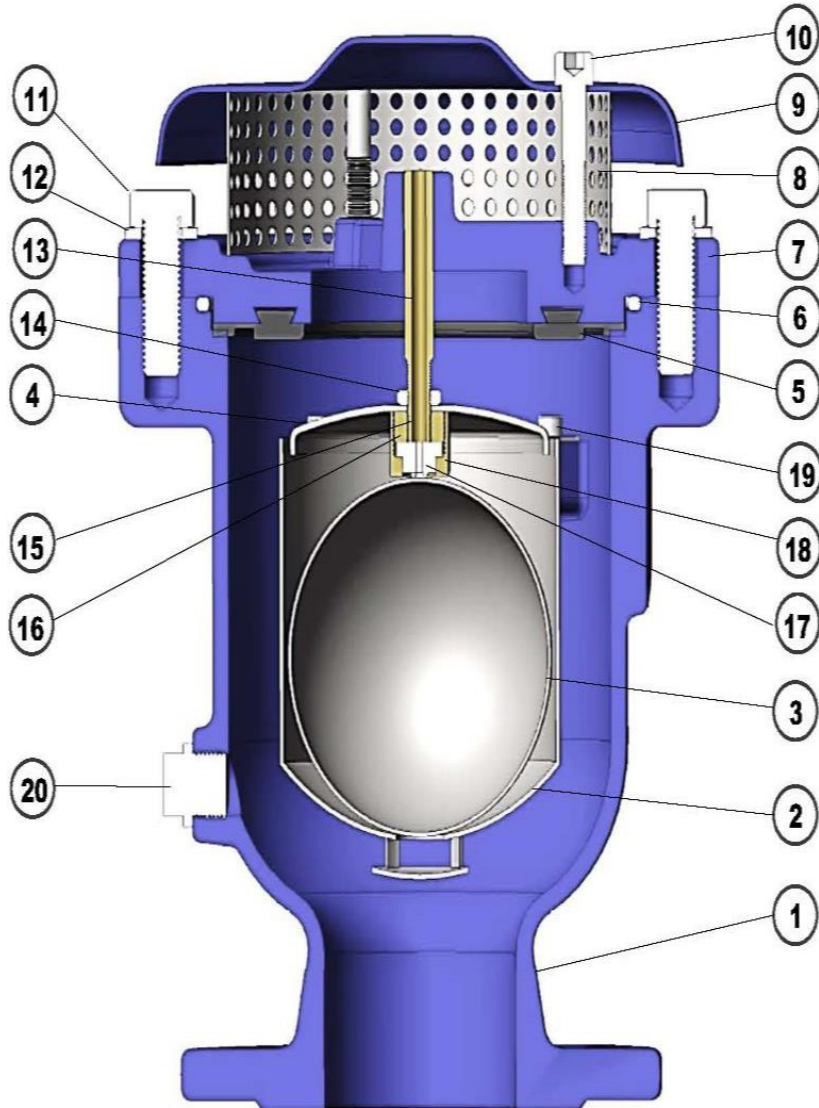
## OPTIONS & NOTES

- WRAS paint and rubber upon request
- Optional upon request: stainless steel AISI 316 for bushing, floating ball, disc, screen, stud, bolt, washer, shaft nut, screw, drain valve
- Optional upon request: EPDM for sealing ring and O-rings
- Optional upon request: stainless steel AISI 304/316 for guide shaft

AIR VALVE

# Air Valve triple function nonslam

SECTION Technical drawing REF EFC-323



AIR VALVE

# Air Valve triple function nonslam

SECTION Dimensions per size REF EFC-323

SIZE	H	D_PN10_16	K_PN10_16	N_D_PN10_16	B_PN10_16	D_PN25	K_PN25	N_D_PN25	B_PN25
<b>DN50</b>	305	165	125	4-Æ19	19	165	125	4-Æ19	19
<b>DN65</b>	305	185	145	4-Æ19	19	185	145	8-Æ19	19
<b>DN80</b>	330	200	160	8-Æ19	19	200	160	8-Æ19	19
<b>DN100</b>	370	220	180	8-Æ19	19	235	190	8-Æ23	19
<b>DN150</b>	450	285	240	8-Æ23	19	300	220	8-Æ28	20
<b>DN200</b>	500	340	295	8-Æ23 / 12-Æ23	20	360	310	12-Æ28	22

All dimensions in millimetres unless stated otherwise. Values are nominal; tolerances confirmed at quote.