

BUTTERFLY VALVE

Triple Eccentric Wafer Butterfly Valve

REF **EFC-315** ISSUED 05 Jun 2026

SPECIFICATIONS

Size	16"-16"
Pressure	150LB
End connection	wafer (ASME B16.5)
Face-to-face	ASME B16.10
Temperature	-29°C to 200°C
Media	Crude Oil, Natural Gas

ACTUATION

- pneumatic — Pneumatic operated
- manual

STANDARDS

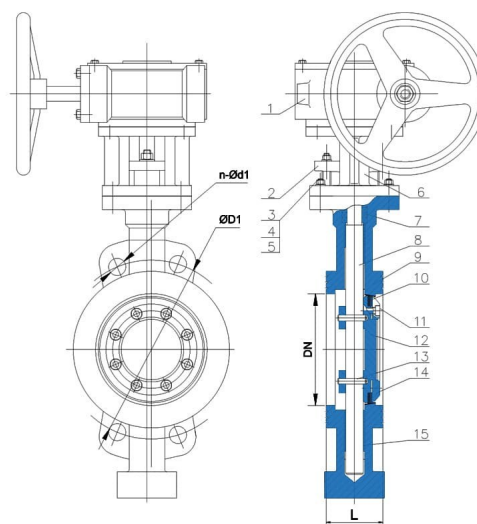
Design	BS 1868, API 609
Test	API 6D, API 598

APPROVALS & CERTIFICATIONS

- LR (Lloyd's Register)
- ECM (Ente Certificazione Macchine)
- ISO
- EAC
- CE
- Bureau Veritas
- ACS (Attestation de Conformité Sanitaire)
- WRAS Approved Product

APPLICATIONS

- Oil and gas
- Chemical processing
- Energy



MATERIALS

body	Carbon steel, Low temperature steel, Cr-Mo steel, Stainless steel, Alloy steel, Super duplex, Aluminium bronze, Monel, Inconel, Hastelloy, Incoloy
------	---

FEATURES

- Triple offset (triple eccentric) design
- Metal-to-metal sealing
- Zero leakage
- Reduced seat wear during operation
- Minimal friction during opening and closing
- Wafer-type body for installation between pipeline flanges
- Triple-offset / high-performance butterfly valve body
- Wafer/lug body style with bolt-hole drilling pattern for PN10, PN16 and ANSI 150 flanges
- Gear operator (worm gearbox) actuator fitted as standard in diagram
- Pneumatic actuator with manual override handwheel shown in product photo
- 15-part numbered assembly visible in sectional diagram
- Bottom shaft plug/drain point visible on body
- Dimension references: L (face-to-face), D1 (bolt-circle diameter), n-d1 (number and diameter of bolt holes)

OPTIONS & NOTES

- Products hold up to 10 international authoritative certification certificates
- Dimensions table referenced in HTML but no data present