

BUTTERFLY VALVE

# Triple Eccentric Lug Butterfly Valve

REF **EFC-314** ISSUED 05 Jun 2026

## SPECIFICATIONS

Size	<b>DN50–DN600</b>
Pressure	<b>Class 150–PN16</b>
End connection	<b>lug / flanged</b>
Temperature	<b>-100°C to 425°C</b>
Media	<b>Crude Oil, Natural Gas</b>

## ACTUATION

- worm gear
- pneumatic
- manual

## STANDARDS

Design	<b>API 609</b>
--------	----------------

## APPROVALS & CERTIFICATIONS

- Lloyd's Register (LR) type approval
- ECM – Ente Certificazione Macchine
- ISO
- EAC (Eurasian Conformity)
- CE
- Bureau Veritas
- ACS – Attestation de Conformité Sanitaire
- WRAS Approved Product

## APPLICATIONS

- Power generation
- Petrochemical
- Water treatment
- End-of-line service



**MATERIALS**

body	<b>Carbon Steel, Low Temperature Steel, Cr-Mo Steel, Stainless Steel, Alloy Steel (Alloy 20), Alloy Steel (Alloy 20 modified), Alloy Steel, Super Duplex, Aluminium Bronze, Monel, Inconel 600, Hastelloy C4, Hastelloy B, Hastelloy C276, Incoloy 825, Incoloy 625</b>	disc	<b>Stainless Steel</b>
stem	<b>Stainless Steel</b>	sealing ring	<b>Stainless Steel + Graphite</b>
packing	<b>Graphite</b>	packing flange	<b>Carbon Steel</b>
connecting support	<b>Carbon Steel</b>	washers	<b>Carbon Steel</b>
bushing	<b>Nitrided Steel</b>	pon	<b>Stainless Steel</b>
disc flange	<b>Stainless Steel</b>		

**FEATURES**

- Triple offset geometry providing metal-to-metal sealing
- Lug-style body for end-of-line service capability
- Zero-leakage shut-off performance
- Low torque operation
- Reduced maintenance due to minimal disc-seat contact during operation
- Triple-offset (triple eccentric) disc geometry visible in sectional diagram
- Lug-type body with threaded lug holes for dead-end service
- Multi-level seal packing collar between disc and body (shown in detail callout A)
- Clamp retaining the seat/seal assembly
- Gearbox (worm-gear) actuator option
- Pneumatic actuator option (double-acting cylinder visible in images 0 and 3)
- Handwheel actuator option
- Part numbering on sectional diagram: items 1–12 identified (full legend not fully legible)
- Dimension references on drawing: L (face-to-face), DN (nominal bore), D1 (disc/seat diameter), n-M (bolt hole pattern)

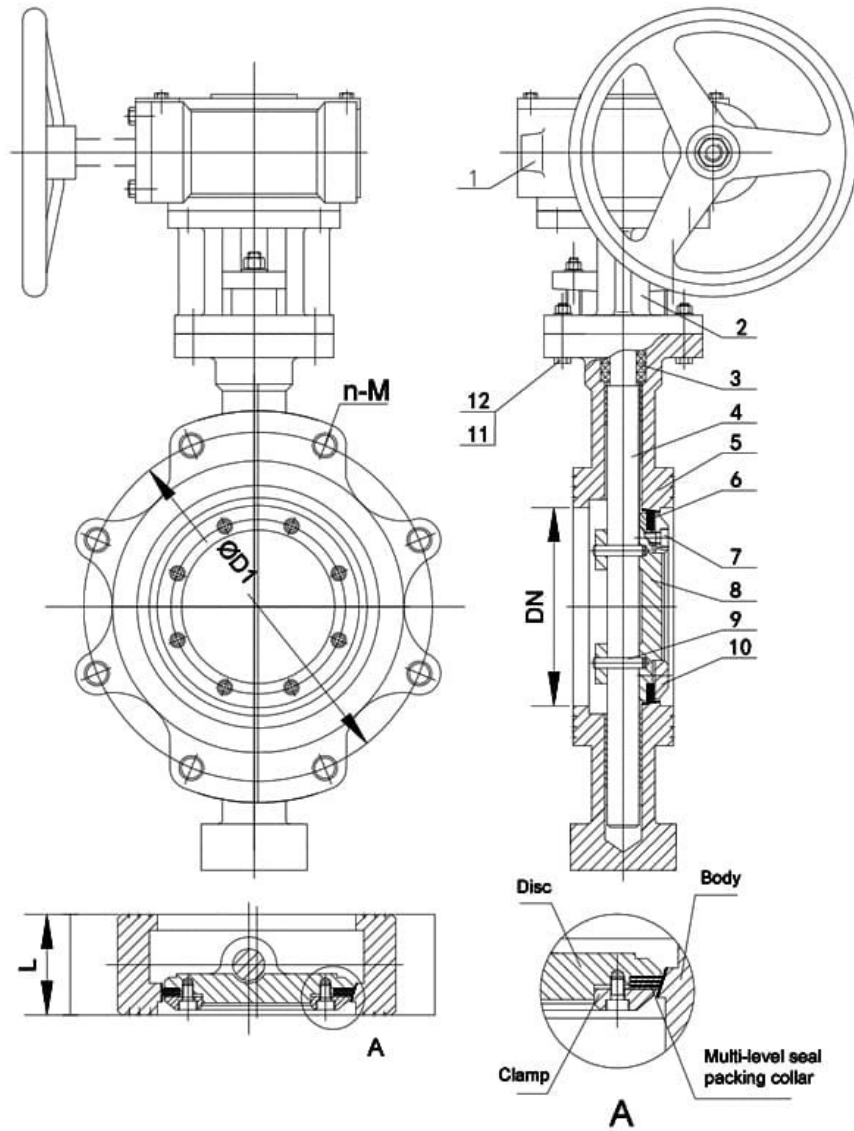
**OPTIONS & NOTES**

- Available in multiple sizes and material options to match application needs.
- Products hold up to 10 international authoritative certification certificates.
- Complies with international standards such as API, EN, and ASME.

BUTTERFLY VALVE

# Triple Eccentric Lug Butterfly Valve

SECTION Technical drawing REF EFC-314



BUTTERFLY VALVE

# Triple Eccentric Lug Butterfly Valve

SECTION Dimensions per size REF EFC-314

SIZE	L	D1	N-M
DN50	43	125	4-M16 null
DN65	46	145	4-M16 null
DN80	64	160	8-M16 null
DN100	64	180	8-M16 null
DN125	70	210	8-M16 null
DN150	76	240	8-M20 null
DN200	89	295	12-M20 null
DN250	114	355	12-M24 null
DN300	114	410	12-M24 null
DN350	127	470	16-M24 null
DN400	140	525	16-M27 null
DN450	152	585	20-M27 null
DN500	152	650	20-M30 null
DN600	154	770	20-M33 null

All dimensions in millimetres unless stated otherwise. Values are nominal; tolerances confirmed at quote.