

CHECK VALVE

# Titling Check Valve

REF **EFC-312** ISSUED 05 Jun 2026

## SPECIFICATIONS

|                |   |
|----------------|---|
| Size           | <b>DN200–DN1600</b>   |
| Pressure       | <b>PN10–PN16</b>  |
| End connection | <b>flanged (EN1092-1) / flanged (EN1092-1) / flanged (DIN) / flanged (BS) / flanged (UNI) / flanged (ISO) / flanged (ANSI) / flanged (AS) / flanged (JIS)</b> |
| Face-to-face   | <b>API609, BS5155, DIN3202, ISO5752</b>   |
| Temperature    | <b>10°C to 80°C</b>   |
| Media          | <b>Water, Sewage</b>  |



## APPROVALS & CERTIFICATIONS

- Lloyd's Register (LR) approved
- ECM (Ente Certificazione Macchine)
- ISO certified
- EAC (Eurasian Conformity)
- CE marked
- Bureau Veritas certified
- ACS (Attestation de Conformité Sanitaire)
- WRAS Approved Product

## APPLICATIONS

- HVAC
- Water supply and sewage
- Food and beverage
- Chemical and petrochemical processing
- Power and utilities
- Paper and pulp
- Shipbuilding
- Industrial pump outlet backflow prevention



**MATERIALS**

|              |  |                |                                      |
|--------------|--|----------------|--------------------------------------|
| body         | <b>Ductile Iron, Carbon Steel, Stainless Steel</b> | disc           | <b>Ductile Iron, Stainless Steel</b> |
| stem         | <b>Stainless Steel</b>                             | seal           | <b>Nitrile Rubber, EPDM Rubber</b>   |
| body seat    | <b>Stainless Steel</b>                             | gland          | <b>Ductile Iron</b>                  |
| yoke         | <b>Carbon Steel</b>                                | counter weight | <b>Cast Iron</b>                     |
| sealing ring | <b>EPDM Rubber</b>                                 | retainer       | <b>Carbon Steel</b>                  |
| bolts        | <b>Carbon Steel</b>                                | body sealing   | <b>Stainless Steel</b>               |
| seat         | <b>Stainless Steel</b>                             |                |                                      |

**FEATURES**

- Tilting disc design with lever, counterweight, and hydraulic buffer
- Automatic elimination of water hammer
- Suitable for horizontal and vertical installation
- Internal components can be lined or coated with corrosion-resistant materials
- Hydraulic slow-closing mechanism
- Miniature adjustment valve included in buffer device
- Double-flanged end connections
- Offset disc (triple-eccentric / tilted-disc style) butterfly valve
- Through-shaft / split-shaft stem visible across full bore
- Hydraulic/pneumatic cylinder actuator fitted to side bracket
- Lifting eye bolts on body for rigging
- Rubber-lined seating visible in bore
- Flow-direction arrow cast or marked on body
- DN600 size cast on disc (images 0, 5, 6)
- DN450 size cast on disc (images 2, 3)
- DN500, PN10 rating and DI 2758 standard cast on body (image 4)
- Performance: DN500, PN10 rating (cast marking on body, image 4)
- Performance: DN600 size (cast marking on disc, images 0, 5, 6)
- Performance: DN450 size (cast marking on disc, images 2, 3)
- Performance: Standard reference DI 2758 cast on body (image 4)

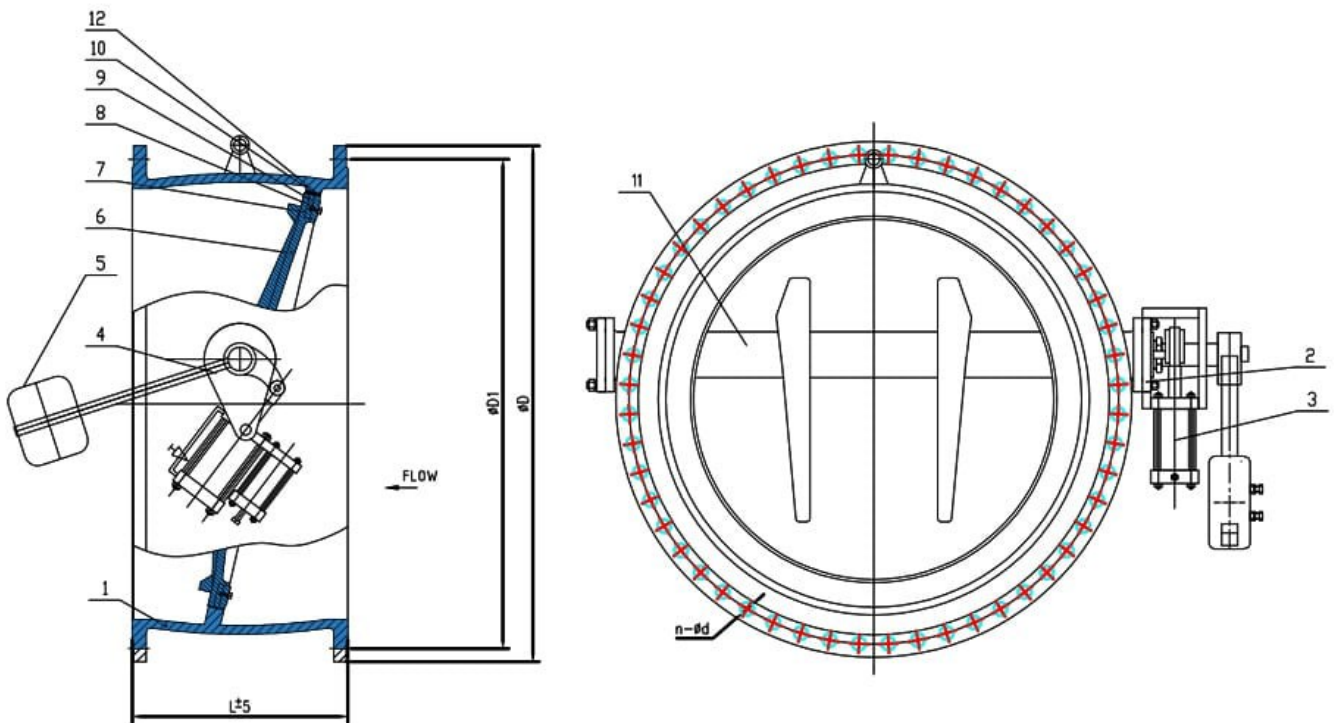
**OPTIONS & NOTES**

- Standard and custom configurations available to meet specific system requirements.
- Hydraulic Cylinder material not specified in standard materials table.

CHECK VALVE

# Titling Check Valve

SECTION Technical drawing REF EFC-312



CHECK VALVE

# Titling Check Valve

SECTION Dimensions per size REF EFC-312

| SIZE   | L   | PN16_D | PN16_D1 | PN16_N_OD | PN10_D | PN10_D1 | PN10_N_OD |
|--------|-----|--------|---------|-----------|--------|---------|-----------|
| DN200  | 230 | 340    | 295     | 12-23     | 340    | 295     | 8-23      |
| DN250  | 250 | 405    | 355     | 12-28     | 395    | 350     | 12-23     |
| DN300  | 270 | 460    | 410     | 12-28     | 445    | 400     | 12-23     |
| DN350  | 290 | 520    | 470     | 16-28     | 505    | 460     | 16-23     |
| DN400  | 310 | 580    | 525     | 16-31     | 565    | 515     | 16-28     |
| DN450  | 330 | 640    | 585     | 20-31     | 615    | 565     | 20-28     |
| DN500  | 350 | 715    | 650     | 20-34     | 670    | 620     | 20-28     |
| DN600  | 390 | 840    | 770     | 24-37     | 780    | 725     | 20-31     |
| DN700  | 430 | 910    | 840     | 24-37     | 895    | 840     | 24-31     |
| DN800  | 470 | 1025   | 950     | 24-41     | 1015   | 950     | 24-34     |
| DN900  | 510 | 1125   | 1050    | 28-41     | 1115   | 1050    | 28-34     |
| DN1000 | 550 | 1255   | 1170    | 28-44     | 1230   | 1160    | 28-37     |
| DN1200 | 630 | 1485   | 1390    | 32-50     | 1455   | 1380    | 32-41     |
| DN1400 | 710 | 1685   | 1590    | 36-50     | 1675   | 1590    | 36-44     |
| DN1600 | 790 | 1930   | 1820    | 40-57     | 1915   | 1820    | 40-50     |

All dimensions in millimetres unless stated otherwise. Values are nominal; tolerances confirmed at quote.