

BALL VALVE

Stainless Steel Ball Valve

REF **EFC-306** ISSUED 05 Jun 2026

SPECIFICATIONS

Size	DN15–DN200
Pressure	PN16–PN25
End connection	flanged (ANSI) / flanged (ANSI) / flanged (DIN) / flanged (DIN) / flanged (BS) / flanged (UNI) / flanged (ISO) / flanged (AS) / flanged (JIS) / threaded
Face-to-face	API609, BS5155, DIN3202, ISO5752
Temperature	-20°C to 425°C
Media	Water, Oil, Gas, Acid, Steam



ACTUATION

- manual lever — Locking device available — ISO5211
- actuated — Actuator type not specified — ISO5211

STANDARDS

Test	API 598
------	----------------

APPROVALS & CERTIFICATIONS

- Lloyd's Register (LR)
- ISO
- EAC
- CE
- Bureau Veritas
- ACS (Attestation de Conformité Sanitaire)
- WRAS Approved Product
- ECM (Ente Certificazione Macchine)

APPLICATIONS

- HVAC
- Water Supply & Sewage
- Food & Beverage

- Chemical/Petrochemical/Processing
- Power & Utilities
- Paper and Pulp
- Ship Building

MATERIALS

body	Austenitic stainless steel	bonnet	Austenitic stainless steel
ball	Austenitic stainless steel	seat	Fluoropolymer, Reinforced fluoropolymer
stem	Austenitic stainless steel	wrench	Carbon steel, Austenitic stainless steel
disc	Stainless Steel		

FEATURES

- Blow-out proof stem
- Investment casting body
- Pressure balance hole in ball slot
- Full bore
- Threaded end types available: NPT, PT, BSP, BSPP, BSPT, DIN, Rc, Rp
- Locking device available
- Quarter-turn operation
- Two-piece and three-piece body styles available
- 2-piece flanged ball valve construction
- Full bore (full port) design
- Lever operated with lockable handle
- Raised face flanges
- Stem with blue packing gland adjustment nut
- Body cast material marked CF8 (equivalent to 304 stainless steel casting grade)
- Bolted body joint (split body)
- Drain/blowdown plug fitted to lower body (item 6)

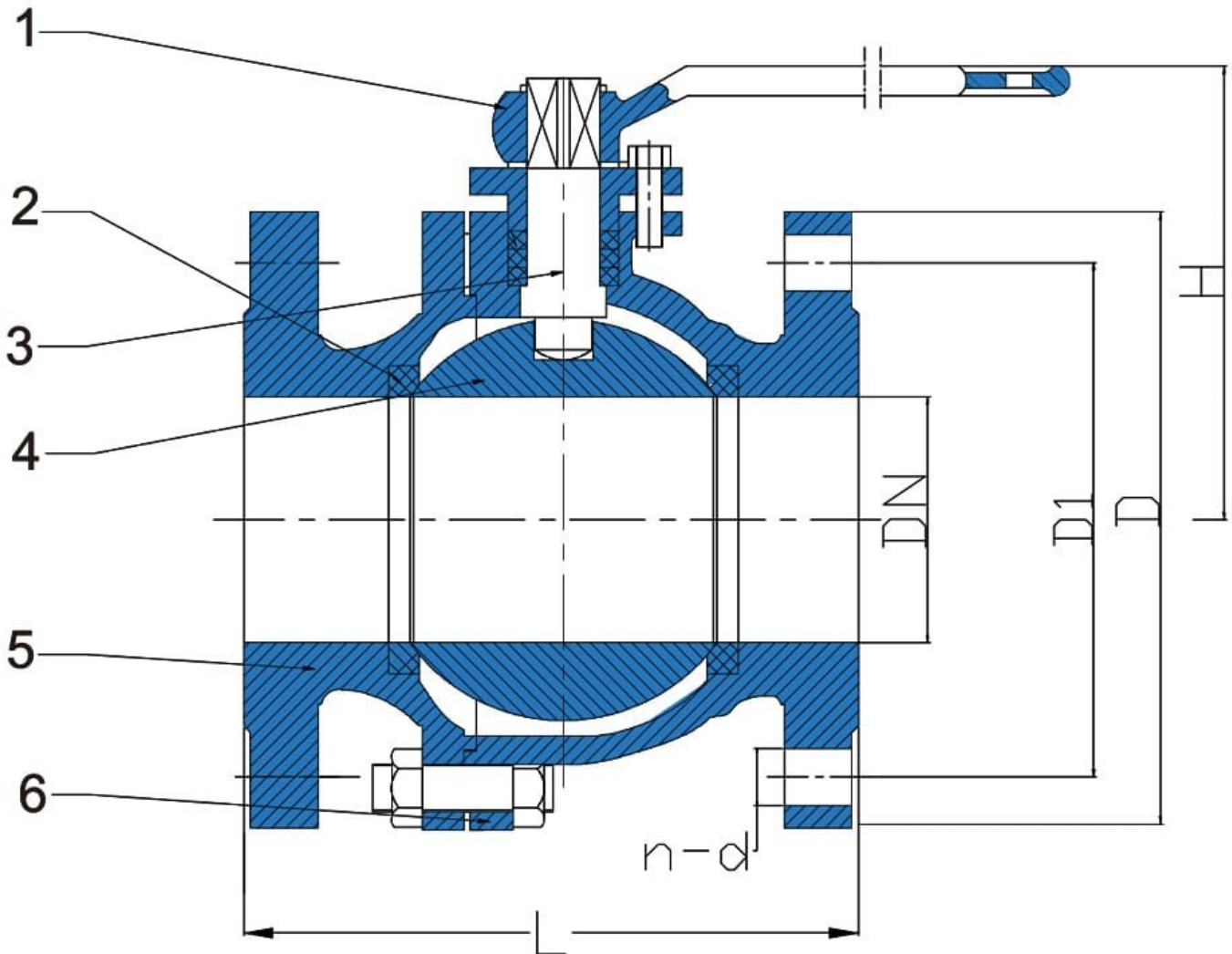
OPTIONS & NOTES

- Threaded type: NPT, PT, BSP, BSPP, BSPT, DIN, Rc, Rp is available
- Locking device is available

BALL VALVE

Stainless Steel Ball Valve

SECTION Technical drawing REF EFC-306



BALL VALVE

Stainless Steel Ball Valve

SECTION Dimensions per size REF EFC-306

SIZE	L	H	D	D1	N-D
DN15	115	59	95	65	4-15
DN20	120	63	105	75	4-15
DN25	125	75	115	85	4-15
DN32	130	86	140	100	4-19
DN40	140	105	150	110	4-19
DN50	150	115	165	125	4-19
DN65	170	135	185	145	4-19
DN80	180	155	200	160	8-19
DN100	190	170	220	180	8-19
DN125	325	195	250	210	8-19
DN150	350	240	285	240	8-23
DN200	400	295	340	295	12-23

All dimensions in millimetres unless stated otherwise. Values are nominal; tolerances confirmed at quote.