

BUTTERFLY VALVE

PTFE Full Coated Lug Butterfly Valve

REF **EFC-297** ISSUED 05 Jun 2026

SPECIFICATIONS

Size	DN50–DN600
Pressure	PN6–PN10
End connection	lug
Media	chemicals, acids, alkalis, wastewater

APPROVALS & CERTIFICATIONS

- LR (Lloyd's Register)
- ECM (Ente Certificazione Macchine)
- ISO
- EAC
- CE
- Bureau Veritas
- ACS (Attestation de Conformité Sanitaire)
- WRAS Approved Product

COATINGS & LINING

- Full PTFE coating

APPLICATIONS

- chemical processing
- wastewater treatment
- pharmaceutical



MATERIALS

body	Ductile Iron	seat	Fluoropolymer
disc	Stainless Steel / Fluoropolymer	lower stem	Stainless Steel
upper stem	Stainless Steel	stem	Stainless Steel

FEATURES

- Full PTFE coating for chemical, acid, and alkali resistance
- Lug-type design allows end-of-line service without disturbing pipeline
- PTFE seat provides low-torque operation and leak-tight sealing
- Disc coated with PTFE or PFA for media purity
- Lug-type body configuration
- PTFE/full-lined seat and disc (white lining visible)
- Gearbox actuator fitted
- Raised face bolt pattern with threaded lug holes
- Through-stem design with upper and lower stem bearings
- Disc visible in closed position (face view)

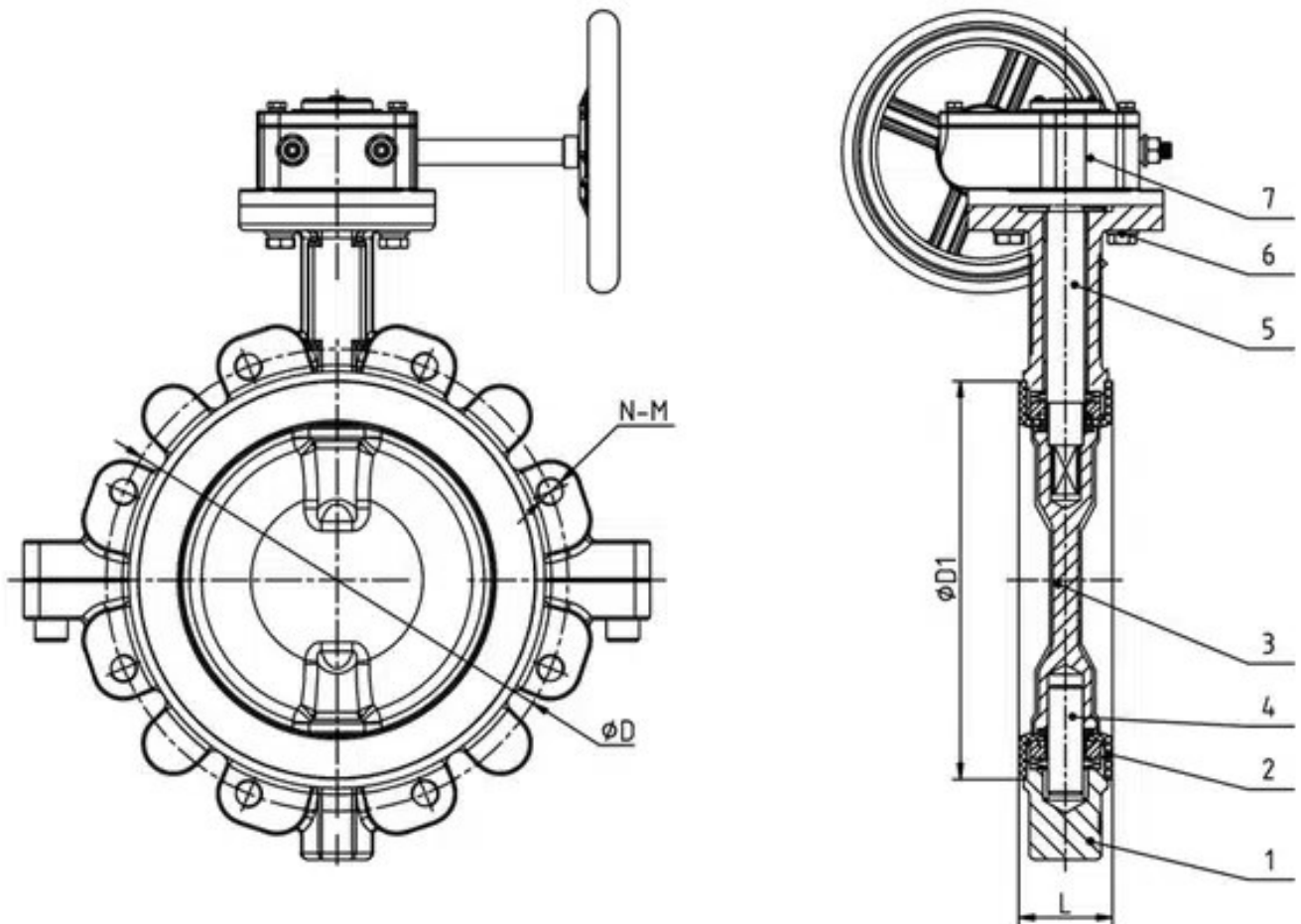
OPTIONS & NOTES

- Gear material not specified in materials table

BUTTERFLY VALVE

PTFE Full Coated Lug Butterfly Valve

SECTION Technical drawing REF EFC-297



BUTTERFLY VALVE

PTFE Full Coated Lug Butterfly Valve

SECTION Dimensions per size REF EFC-297

SIZE	L	D1	N-M
DN50	43	125	4-M16 null
DN65	46	145	4-M16 null
DN80	46	160	8-M16 null
DN100	52	180	8-M16 null
DN125	56	210	8-M16 null
DN150	56	240	8-M20 null
DN200	60	295	8-M20 null
DN250	68	350	12-M20 null
DN300	78	400	12-M20 null
DN350	78	460	16-M20 null
DN400	102	515	16-M24 null
DN450	114	565	20-M24 null
DN500	127	620	20-M24 null
DN600	154	725	20-M27 null

All dimensions in millimetres unless stated otherwise. Values are nominal; tolerances confirmed at quote.