

PRESSURE REDUCING VALVE

Pressure Reducing Valve

REF **EFC-295** ISSUED 05 Jun 2026

SPECIFICATIONS

Size	DN50–DN800
Pressure	PN10–PN16
End connection	flanged (DIN, BS, UNI, ISO, ANSI, AS, JIS)
Media	water

APPROVALS & CERTIFICATIONS

- LR (Lloyd's Register)
- ECM (Ente Certificazione Macchine)
- ISO
- EAC
- CE
- Bureau Veritas
- ACS (Attestation de Conformité Sanitaire)
- WRAS Approved Product

APPLICATIONS

- HVAC
- Water Supply & Sewage
- Food & Beverage
- Chemical/Petrochemical Processing
- Power and Utilities
- Paper and Pulp
- Ship Building
- Municipal water networks
- Building services
- Above-ground installations
- Underground installations



MATERIALS

body	Cast Iron	seat	Brass, Elastomer
platen	Carbon Steel	disc	Ductile Iron
diaphragm	Elastomer	stem	Stainless Steel
spring	Stainless Steel	eye bolt	Carbon Steel
bonnet	Ductile Iron	bolts	Stainless Steel
needle valve	Brass	pilot valve	Brass
ball valve	Brass		

FEATURES

- Automatic pressure regulation from high inlet pressure to stable downstream pressure
- Pilot valve controlled operation
- EPDM diaphragm construction
- Stainless steel stem, spring, nuts, and bolts
- Integral needle valve and ball valve in pilot circuit
- Pressure gauge ports (x2)
- Flanged end connections
- Copper pilot pipework connecting inlet to pilot valve assembly and cover chamber
- Manual override handwheel (red) on pilot assembly
- Pilot solenoid valve mounted on top of pilot assembly
- Pressure gauge / pressure switch (teal/green disc instrument) mounted on upstream flange side
- Needle valves (brass) on upstream and downstream pilot tapping points
- Diaphragm-type hydraulic actuator (cover chambers visible either side)
- Globe-pattern main valve body with full-bore port
- Stem-guided disc/plug assembly visible in sectional diagram
- 18 numbered parts visible in sectional cross-section diagram

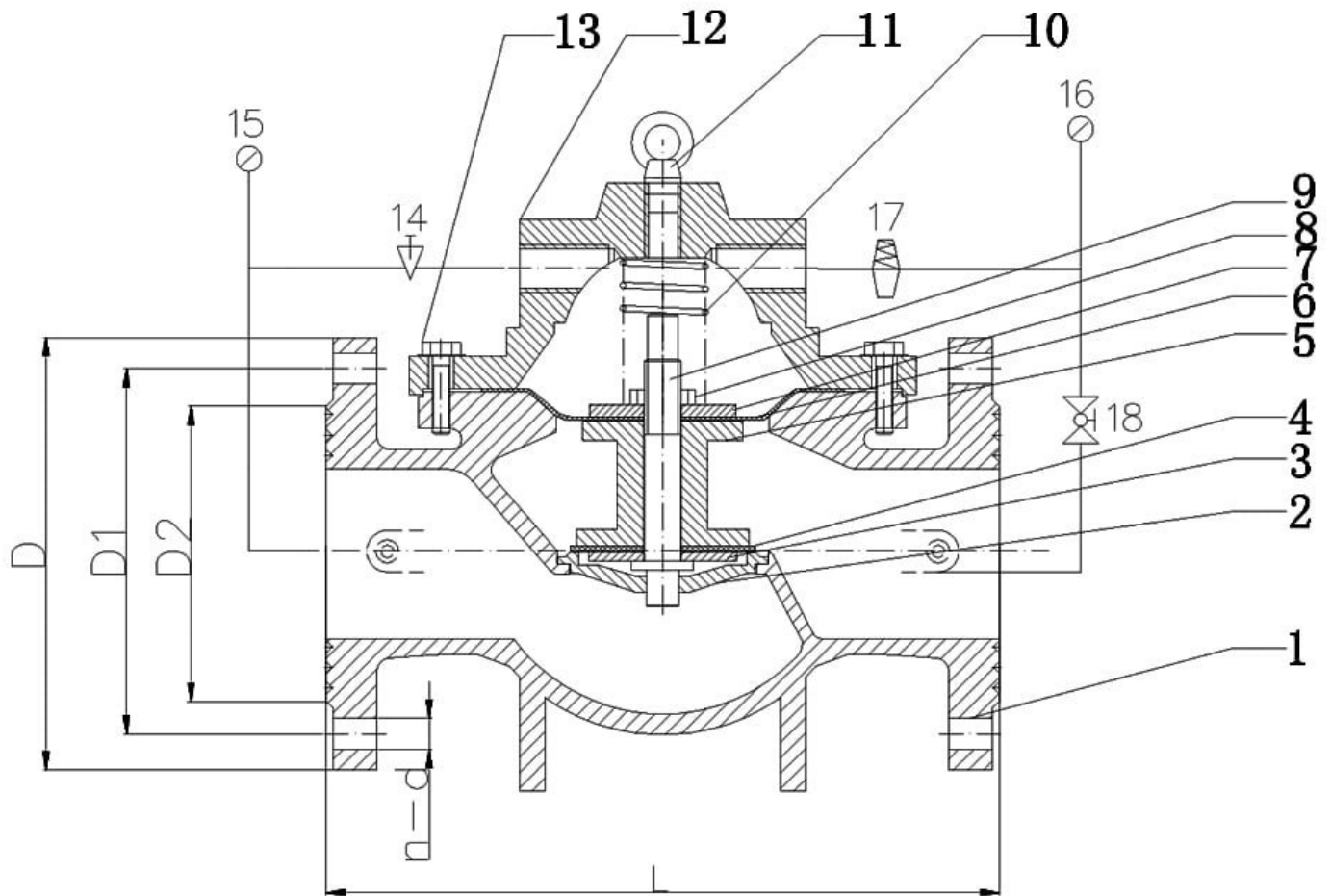
OPTIONS & NOTES

- Pressure Gauge material not specified in materials table (items 15 and 16 left blank)

PRESSURE REDUCING VALVE

Pressure Reducing Valve

SECTION Technical drawing REF EFC-295



PRESSURE REDUCING VALVE

Pressure Reducing Valve

SECTION Dimensions per size REF EFC-295

SIZE	L	D1_PN10	N-D_PN10	D2_PN10	D_PN10	D1_PN16	N-D_PN16	D2_PN16	D_PN16
DN50	215	125	4-19	99	160	125	4-19	99	160
DN65	235	145	4-19	118	180	145	4-19	118	180
DN80	250	160	8-19	132	195	160	8-19	132	195
DN100	290	180	8-19	156	215	180	8-19	156	215
DN125	325	210	8-19	184	245	210	8-19	184	245
DN150	360	240	8-23	211	280	240	8-23	211	280
DN200	420	295	8-23	266	335	295	12-23	266	335
DN250	510	350	12-23	319	395	355	12-28	319	405
DN300	600	400	12-23	370	445	410	12-28	370	460
DN350	670	460	16-23	429	505	470	16-28	429	520
DN400	730	515	16-27	480	565	525	16-31	480	580
DN450	730	565	20-28	530	615	585	20-31	548	640
DN500	800	620	20-28	582	670	650	20-34	609	715
DN600	970	725	20-31	682	780	770	20-37	720	840
DN700	1110	840	24-31	794	895	840	24-37	794	910
DN800	1200	950	24-34	901	1015	950	24-40	901	1025

All dimensions in millimetres unless stated otherwise. Values are nominal; tolerances confirmed at quote.