

BUTTERFLY VALVE

# Pneumatic Actuators Wafer Butterfly Valve

REF **EFC-294** ISSUED 05 Jun 2026

## SPECIFICATIONS

Size	<b>DN50–DN1200</b>
Pressure	<b>PN10–PN16</b>
End connection	<b>wafer (DIN / BS / UNI / ISO / ANSI / AS / JIS)</b>
Face-to-face	<b>API 609, ISO 5752 series 20, BS 5155, DIN 3202</b>
Temperature	<b>null°C to 150°C</b>
Media	<b>Fresh water, Sewage, Sea water, Air, Vapour, Food, Medicine, Oils, Acids, Alkalis</b>

## ACTUATION

- pneumatic — ISO 5211
- manual lever — ISO 5211
- worm gear — ISO 5211
- electric — ISO 5211

## STANDARDS

Design	<b>MSS SP-67, API 609, EN 593</b>
Test	<b>API 598</b>

## APPROVALS & CERTIFICATIONS

- International certifications (Up to 10 international authoritative certification certificates claimed; specific bodies not named)
- LR (Lloyd's Register)
- ECM (Ente Certificazione Macchine)
- ISO
- EAC
- CE
- Bureau Veritas
- ACS (Attestation de Conformite Sanitaire)



- WRAS Approved Product

## **APPLICATIONS**

---

- Municipal water supply
- Wastewater treatment
- HVAC systems
- Industrial water distribution
- Food and beverage
- Chemical / petrochemical / processing
- Power and utilities
- Paper and pulp
- Ship building

**MATERIALS**

body	<b>Cast Iron, Ductile Iron, Carbon Steel, Stainless Steel, Bronze</b>	disc	<b>Bronze, Stainless Steel, Ductile Iron, Carbon Steel</b>
seat	<b>Elastomer, PTFE</b>	stem	<b>Stainless Steel, Carbon Steel</b>
bushing	<b>PTFE, Bronze</b>	o ring	<b>Elastomer</b>
pin	<b>Stainless Steel</b>		

**FEATURES**

- Compact wafer body for installation between standard flanges
- 90-degree on/off operation
- Low operating torque
- Flow characteristic tending towards linear for regulation
- Wide selection of body, disc, seat, and shaft materials
- Tested for tens of thousands of opening/closing cycles
- Wafer-pattern butterfly valve body with pneumatic scotch-yoke rack-and-pinion actuator
- Spring-return (fail-safe) actuator variants visible (orange end caps = spring return)
- Double-acting actuator variants visible (black end caps)
- PTFE-lined disc variant visible (image index 1)
- Rubber-seated disc variant visible (image index 0 and 4)
- Stainless steel body / full stainless construction variant visible (image index 3)
- Position indicator on actuator top (visual flag)
- Flange drilling to PN10, PN16, ANSI 150, JIS 10K standards
- Sectional diagram shows 7 numbered component positions: bottom stub shaft (1), lower bearing (2), disc (3), seat/liner (4), body (5), upper stem (6), top bearing/packing assembly (7)
- Dimension parameters shown: C (face-to-face), d0 (stem diameter), K (ISO 5211 mounting PCD), E (actuator mount bolt PCD), z-d (actuator bolt pattern), g (actuator mount flange diameter), h (key height), p (stem projection), bxl (key dimensions), D1 (flange OD), n-Od1 (bolt count and diameter)

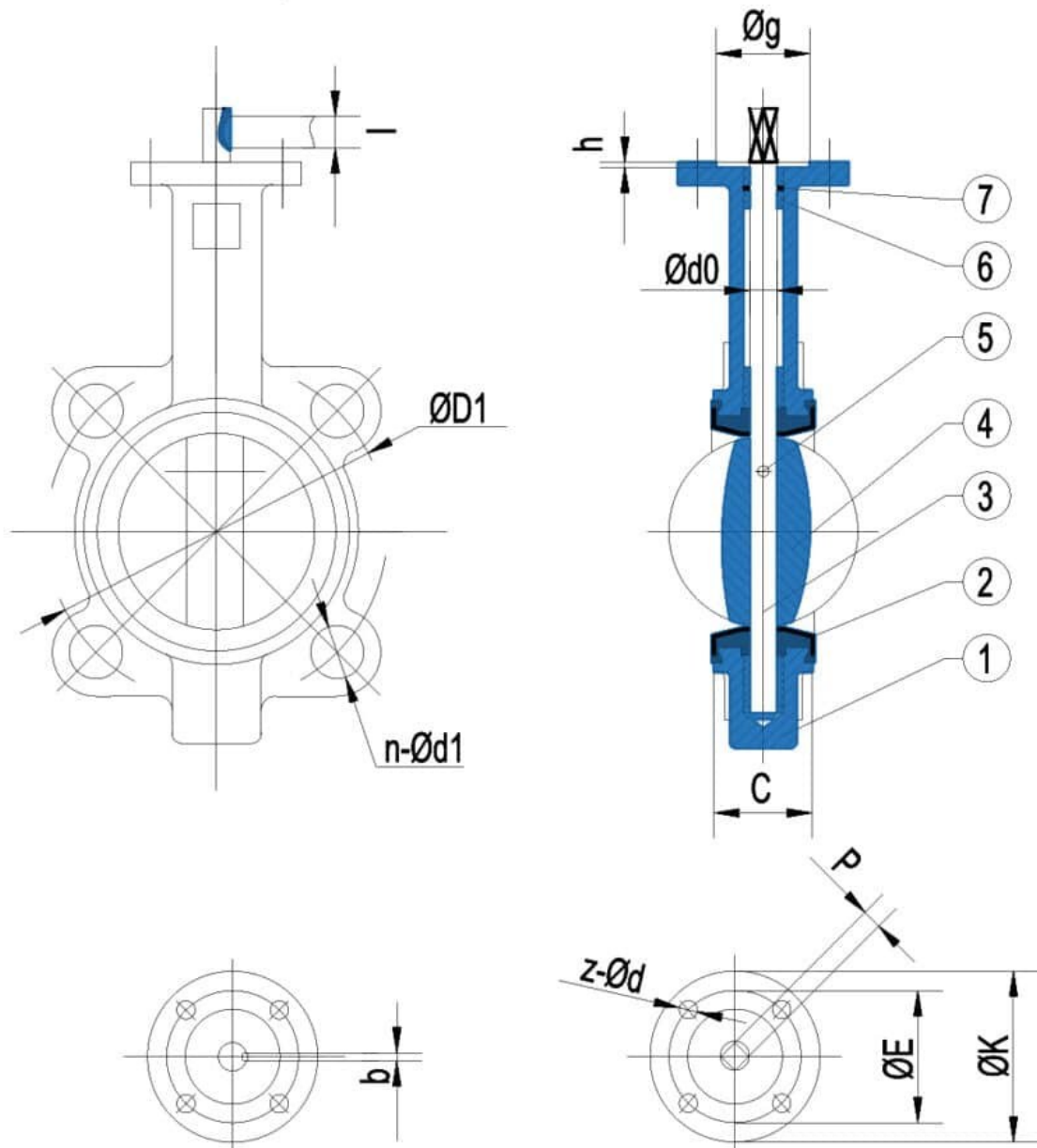
**OPTIONS & NOTES**

- Available in a variety of sizes and actuator configurations to meet diverse project needs.

BUTTERFLY VALVE

# Pneumatic Actuators Wafer Butterfly Valve

SECTION Technical drawing REF EFC-294



BUTTERFLY VALVE

## Pneumatic Actuators Wafer Butterfly Valve

SECTION Dimensions per size REF EFC-294

SIZE	C	D0	K	E	Z-D	G	H	P	BxL	D1(P16)	NØ(P16)	D1(P10)	NØ(P10)	D1(A15)	NØ(A15)	D1(JIS)	NØ(JIS)
DN 50	42	12.6	77	50	4-7	35	3	9	3x16	125	4-18	125	4-18	120.5	4-19	120	4-19
DN 65	44.7	12.6	77	50	4-7	35	3	9	4x16	145	4-18	145	4-18	139.5	4-19	140	4-19
DN 80	45.2	12.6	77	50	4-7	35	3	9	3x16	160	8-18	160	8-18	152.5	4-19	150	4-19
DN 100	52.1	15.72	90	70	4-9	55	3	11	5x19	180	8-18	180	8-18	190.5	8-19	175	8-19
DN 125	54.4	18.92	90	70	4-9	55	3	14	5x19	210	8-18	210	8-18	216	8-22	210	8-23
DN 150	56	18.92	90	70	4-9	55	3	14	5x19	240	8-23	240	8-23	241.5	8-22	240	8-23
DN 200	60.6	22.1	125	102	4-12	70	3.5	17	7x15	295	12-23	295	8-23	298.5	8-22	290	12-23
DN 250	68	26.4	125	102	4-12	70	3.5	22	8x28	350	12-27	350	12-23	362	12-25	355	12-23
DN 300	76.9	31.6	125	102	4-12	70	3.5	22	8x28	400	12-27	400	12-23	432	12-25	400	16-25
DN 350	76.9	31.6	125	102	4-12	70	3.5	22	8x28	460	16-27	460	16-23	476	12-29	445	16-25
DN 400	86.5	35.15	175	140	4-18	100	4	24	10x50	525	16-30	515	16-27	540	16-29	510	16-27
DN 450	105.6	38	175	140	4-18	100	4	27	10x50	585	20-30	565	20-27	578	16-32	565	20-27
DN 500	127	41.15	175	140	4-18	100	4	32	10x50	650	20-33	620	20-27	635	20-32	620	20-27
DN 600	150.5	50.21	210	165	4-23	130	5	36	2-16x60	725	20-36	725	20-27	749.5	20-33	730	24-33
DN 700	163	55	300	254	8-18	200	5.5	—	2-18x63	840	24-36	840	24-30	863.5	28x1¼in	840	24-33
DN 750	165	55	300	254	8-18	200	5.5	—	2-18x63	914	24-36	914	24-30	914.5	28x1¼in	900	24-33
DN 800	188	63	300	254	8-18	200	5.5	—	2-18x63	950	24-39	950	32-33	978	28-41	950	28-33

## Pneumatic Actuators Wafer Butterfly Valve

Dimensions per size (continued) · EFC-294

SIZE	C	D0	K	E	Z-D	G	H	P	B×L	D1(P16)	NØ(P16)	D1(P10)	NØ(P10)	D1(A15)	NØ(A15)	D1(JIS)	NØ(JIS)
<b>DN 900</b>	203	75	300	254	8-18	200	5.5	— 2-20×100		1050	28-39	1050	32-33	1086	32-38	1050	32-33
<b>DN 1000</b>	216	85	300	254	8-18	200	5.5	— 2-20×100		1160	28-42	1160	36-38	1200	36-41	1160	36-41
<b>DN 1100</b>	251	95	350	298	8-23	230	5.5	— 2-20×100		1270	32-44	1270	36-38	1257.5	36-41	1270	36-41
<b>DN 1200</b>	276	105	350	298	8-23	230	5.5	— 2-28×140		1390	32-50	1380	32-41	1422.5	40-41	1380	32-50

All dimensions in millimetres unless stated otherwise. Values are nominal; tolerances confirmed at quote.