

BALL VALVE

Pneumatic Actuator Ball Valve

REF **EFC-292** ISSUED 05 Jun 2026

SPECIFICATIONS

Size	DN15–DN200
Pressure	PN16–PN25
End connection	flanged (ANSI) / flanged (ANSI) / flanged (DIN) / flanged (DIN) / flanged (BS) / flanged (UNI) / flanged (ISO) / flanged (AS) / flanged (JIS)
Face-to-face	API 609, BS 5155, DIN 3202, ISO 5752
Temperature	-20°C to 425°C
Media	Water, Oil, Gas, Acid, Steam

ACTUATION

- pneumatic — ISO 5211

STANDARDS

Test	API 598
------	----------------

APPROVALS & CERTIFICATIONS

- LR (Lloyd's Register) approved
- ECM (Ente Certificazione Macchine) certified
- ISO certified
- EAC (Eurasian Conformity) marked
- CE marked
- Bureau Veritas certified
- ACS (Attestation de Conformité Sanitaire) approved
- WRAS Approved Product

APPLICATIONS

- HVAC
- Water Supply & Sewage
- Food & Beverage
- Chemical/Petrochemical/Processing



- Power & Utilities
- Paper and Pulp
- Ship Building
- Industrial Automation
- Water Treatment

MATERIALS

body	Austenitic Stainless Steel	bonnet	Austenitic Stainless Steel
ball	Austenitic Stainless Steel	seat	Fluoropolymer, Reinforced Fluoropolymer
stem	Austenitic Stainless Steel	wrench	Carbon Steel, Austenitic Stainless Steel
disc	Stainless Steel		

FEATURES

- Blow-out proof stem
- Investment casting body
- Full bore
- Flanged end connection
- Locking device available
- Anti-static design
- Quarter-turn operation
- Flanged end connections
- Split body (two-piece) construction
- Full bore ball
- Pneumatic rack-and-pinion actuator with manual override handwheel
- Single-acting (spring-return) actuator configuration — air-to-open () as indicated on actuator label
- Solenoid valve (5/2-way) mounted on actuator
- Limit switch/positioner feedback unit mounted on actuator top
- Filter-regulator unit on actuator air supply
- Drain/blowdown plug on valve body (item 6)
- Flange bolt pattern: n-d (number and diameter of bolt holes indicated on drawing)
- ISO 5211 actuator mounting pad (inferred from bracket)

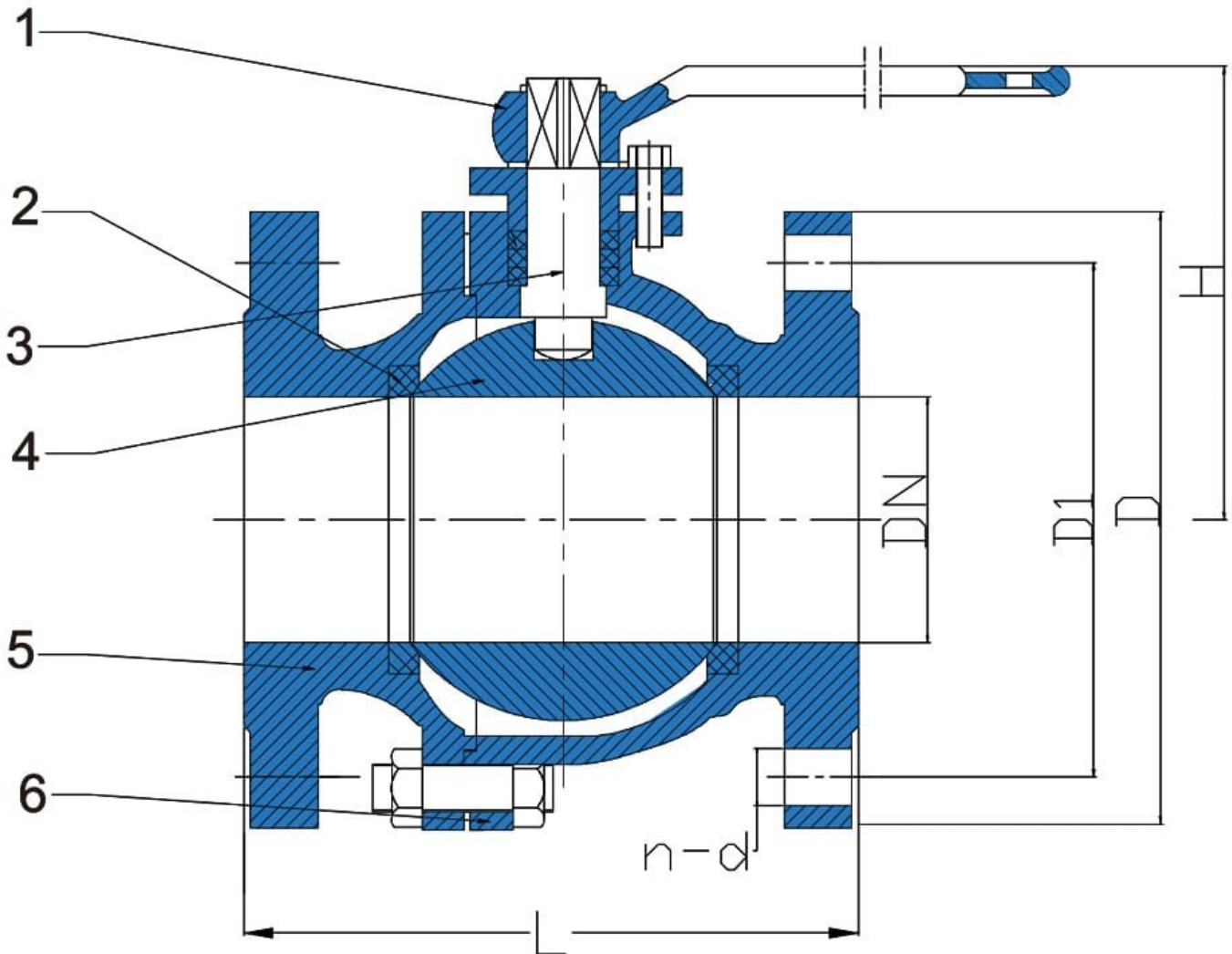
OPTIONS & NOTES

- Locking device is available
- Available in various sizes, pressure ratings, and connection types

BALL VALVE

Pneumatic Actuator Ball Valve

SECTION Technical drawing REF EFC-292



BALL VALVE

Pneumatic Actuator Ball Valve

SECTION Dimensions per size REF EFC-292

SIZE	L	H	D	D1	N-D
DN15	115	59	95	65	4-15
DN20	120	63	105	75	4-15
DN25	125	75	115	85	4-15
DN32	130	86	140	100	4-19
DN40	140	105	150	110	4-19
DN50	150	115	165	125	4-19
DN65	170	135	185	145	4-19
DN80	180	155	200	160	8-19
DN100	190	170	220	180	8-19
DN125	325	195	250	210	8-19
DN150	350	240	285	240	8-23
DN200	400	295	340	295	12-23

All dimensions in millimetres unless stated otherwise. Values are nominal; tolerances confirmed at quote.