

BUTTERFLY VALVE

Metal Seated Eccentric Butterfly Valve

MODEL **D671H-150Lb-16 inch** REF **EFC-288** ISSUED **05 Jun 2026**

SPECIFICATIONS

Size	DN50–DN600
Pressure	Class 150
End connection	flanged (ASME B16.5)
Face-to-face	ASME B16.10
Temperature	-29°C to 200°C
Media	Crude Oil, Natural Gas, steam, gas, slurry

ACTUATION

- pneumatic — Pneumatic operated

STANDARDS

Design	BS 1868, API 609
Test	API 6D, API 598

APPROVALS & CERTIFICATIONS

- Lloyd's Register (LR) type approval
- ECM (Ente Certificazione Macchine)
- ISO
- EAC
- CE
- Bureau Veritas
- ACS (Attestation de Conformité Sanitaire)
- WRAS Approved Product

APPLICATIONS

- Power plants
- Petrochemical facilities
- Heavy industrial environments
- High-temperature pipelines
- High-pressure pipelines



- Abrasive media service

MATERIALS

body	Carbon steel, Low temperature steel, Cr-Mo steel, Stainless steel, Alloy steel, Super duplex, Aluminium bronze, Monel, Inconel, Hastelloy, Incoloy
------	---

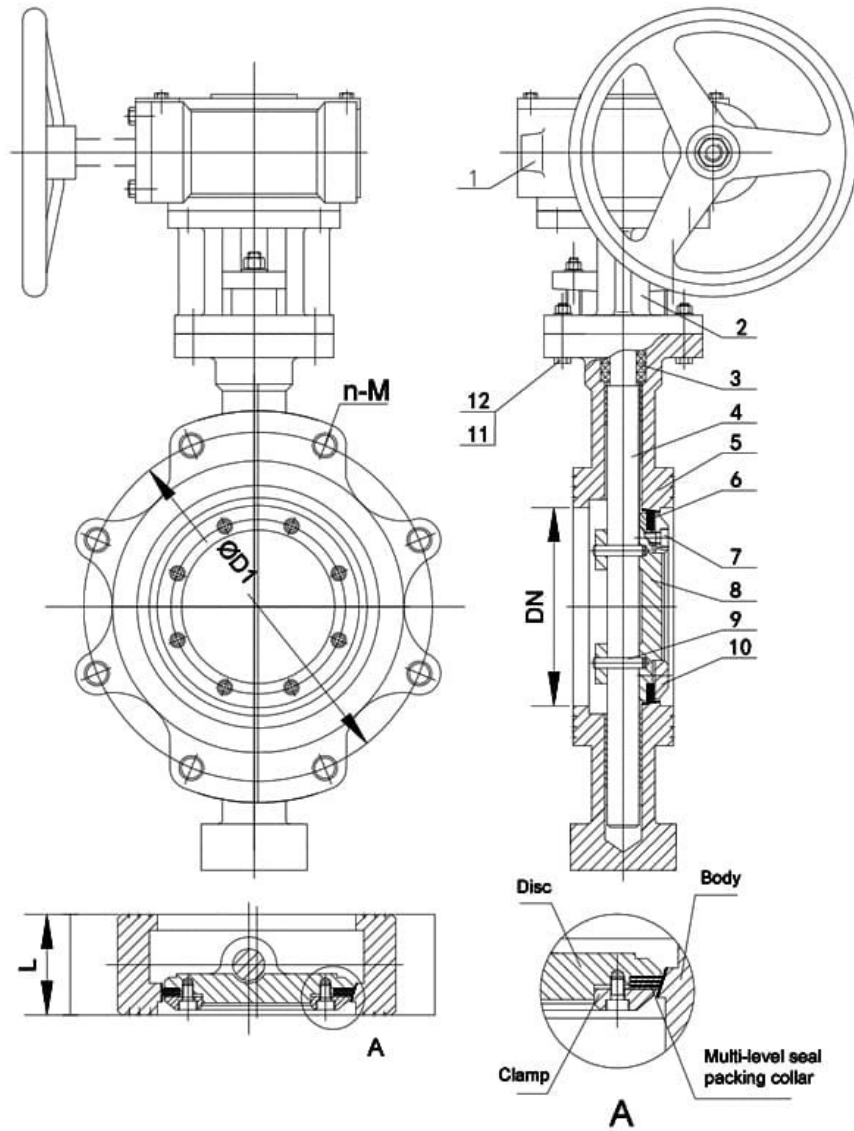
FEATURES

- Triple eccentric / offset disc design minimises wear during operation
- Metal-to-metal seating
- Quarter-turn operation
- Multiple body material options including carbon steel, stainless steel, alloy steel, super duplex, aluminium bronze, Monel, Inconel, Hastelloy, and Incoloy
- Corrosion-resistant coating options
- Triple-offset (triple eccentric) disc geometry
- Flanged body with raised-face flanges
- Gearbox (worm gear) actuator fitted as standard shown
- Multi-level seal packing collar on disc/body seating area
- Clamp-retained seat arrangement
- Separate clamp component securing seat packing collar
- Body and disc identified as distinct sealing components in sectional callout
- Part numbering 1–12 visible on sectional diagram (detail not fully legible)
- Dimension references: L (face-to-face), DN (nominal bore), D1 (bolt circle diameter), n-M (number and size of flange bolts)
- Metal-to-metal seat configuration visible in product photos
- Available in multiple finish/material variants: blue-painted ductile iron/cast iron body with bronze disc (index 0); stainless steel body and disc (index 1 and 2); red-painted body (index 3); bare stainless/carbon steel (index 4 and 5)

BUTTERFLY VALVE

Metal Seated Eccentric Butterfly Valve

SECTION Technical drawing REF EFC-288



BUTTERFLY VALVE

Metal Seated Eccentric Butterfly Valve

SECTION Dimensions per size REF EFC-288

SIZE	L	D1	N-M
DN50	43	125	4-M16
DN65	46	145	4-M16
DN80	64	160	8-M16
DN100	64	180	8-M16
DN125	70	210	8-M16
DN150	76	240	8-M20
DN200	89	295	12-M20
DN250	114	355	12-M24
DN300	114	410	12-M24
DN350	127	470	16-M24
DN400	140	525	16-M27
DN450	152	585	20-M27
DN500	152	650	20-M30
DN600	154	770	20-M33

All dimensions in millimetres unless stated otherwise. Values are nominal; tolerances confirmed at quote.