

BUTTERFLY VALVE

Hydraulic Lug Butterfly Valve

REF **EFC-286** ISSUED 05 Jun 2026

SPECIFICATIONS

Size	DN900–DN1000
Pressure	PN10–PN16
End connection	lug
Temperature	-10°C to 120°C
Media	chemicals, air, water, steam, oil, acids, salts

ACTUATION

- hydraulic

APPROVALS & CERTIFICATIONS

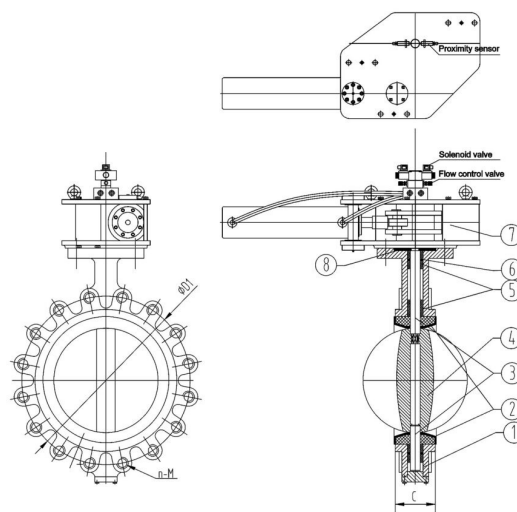
- Lloyd's Register (LR) type approval
- ECM – Ente Certificazione Macchine
- ISO
- EAC (Eurasian Conformity)
- CE marking
- Bureau Veritas
- ACS (Attestation de Conformité Sanitaire – French drinking water approval)
- WRAS Approved Product (UK Water Regulations Advisory Scheme)

COATINGS & LINING

- Epoxy painting

APPLICATIONS

- Large-scale pipelines
- Municipal water treatment
- Industrial fluid handling
- Pump stations
- Water distribution networks



MATERIALS

body	Carbon Steel	seat	Elastomer
shaft	Stainless Steel	disc	Carbon Steel
bushing	Fluoropolymer	o ring	Elastomer
fixed card board	Carbon Steel	stem	Stainless Steel

FEATURES

- Compact structure
- Quick response
- Suitable for automation
- Corrosion-resistant materials
- Compatible with clean or lightly contaminated water applications
- Triple-offset / double-offset lug-type butterfly valve body
- Hydraulic cylinder actuator (double-acting) with hydraulic hose connections
- Solenoid valve mounted on actuator
- Flow control valve mounted on actuator
- Proximity sensor for end-position detection
- Parts numbered 1–8 on sectional diagram: (1) lower stem/bottom bearing, (2) body/seat area, (3) disc, (4) seat/seal ring, (5) upper stem bearing, (6) stem, (7) actuator bracket/yoke, (8) hydraulic cylinder
- Lugged body with through-bolting arrangement (n-M bolt pattern)
- Bore diameter referenced as ØD1 on drawing
- Face-to-face dimension referenced as C on drawing
- DN1000 size visible cast on valve body

OPTIONS & NOTES

- Customisable solutions tailored to project specifications available on request.
- Products hold up to 10 international authoritative certification certificates.

BUTTERFLY VALVE

Hydraulic Lug Butterfly Valve

SECTION Dimensions per size REF EFC-286

SIZE	C	PN10_D1	PN10_N-M
DN900	203	1050	28-M30 null
DN1000	216	1160	28-M33 null

All dimensions in millimetres unless stated otherwise. Values are nominal; tolerances confirmed at quote.