

CHECK VALVE

Dual Plate Wafer Check Valve

REF **EFC-263** ISSUED 05 Jun 2026

SPECIFICATIONS

Size	DN50–DN800
Pressure	PN10–PN16
End connection	wafer (DIN) / wafer (ANSI) / wafer (JIS) / wafer (BS) / wafer (UNI) / wafer (ISO) / wafer (AS)
Face-to-face	API 594, API609, BS5155, DIN3202, ISO5752
Temperature	null°C to 150°C
Media	Fresh water, Sewage, Sea water, Air, Vapour, Food, Medicine, Oils, Acids, Al- kalis

ACTUATION

- manual
- worm gear
- pneumatic
- electric

STANDARDS

Design	API 594
Test	API 598



APPROVALS & CERTIFICATIONS

- Lloyd's Register (LR) type approval
- ECM (Ente Certificazione Macchine)
- ISO certified
- EAC (Eurasian Conformity)
- CE marked
- Bureau Veritas certified
- ACS (Attestation de Conformité Sanitaire)
- WRAS Approved Product

APPLICATIONS

- HVAC
- Water Supply & Sewage
- Food & Beverage
- Chemical/Petrochemical processing
- Power and Utilities
- Paper and Pulp
- Ship Building
- Water treatment
- Marine

MATERIALS

body	Cast Iron, Ductile Iron, Carbon Steel, Stainless Steel	plate	Ductile Iron, Carbon Steel, Stainless Steel
spring	Stainless Steel	hinge pin	Stainless Steel
body bearing	PTFE	spring bearing	PTFE
stop pin	Stainless Steel	eye bolt	Carbon Steel
body seat	Elastomer, Fluoroelastomer	disc	CF8M (ASTM A351 Grade CF8M — 316 stainless steel)
seat	Elastomer, Fluoroelastomer	stem	Stainless Steel

FEATURES

- Spring-loaded dual plates open under forward flow pressure and close automatically on flow reversal
- Wafer-style body installs between standard flanges
- Low-profile, lightweight design
- Pressure-tested before delivery
- Dual-plate (twin disc) wafer check valve construction
- Spring-loaded dual discs for rapid closure
- Rubber-lined body (elastomer seat integral to body)
- Central hinge pin with return springs
- Wafer pattern — fits between flanges
- Lifting eye bolt on body (part 1 in diagram)
- Dimensions shown: ØA (overall outer diameter), ØE (flange bore/seat diameter), B (face-to-face length)
- Flow direction indicated on section drawing
- Part 10 identified as body/shell in section A-A

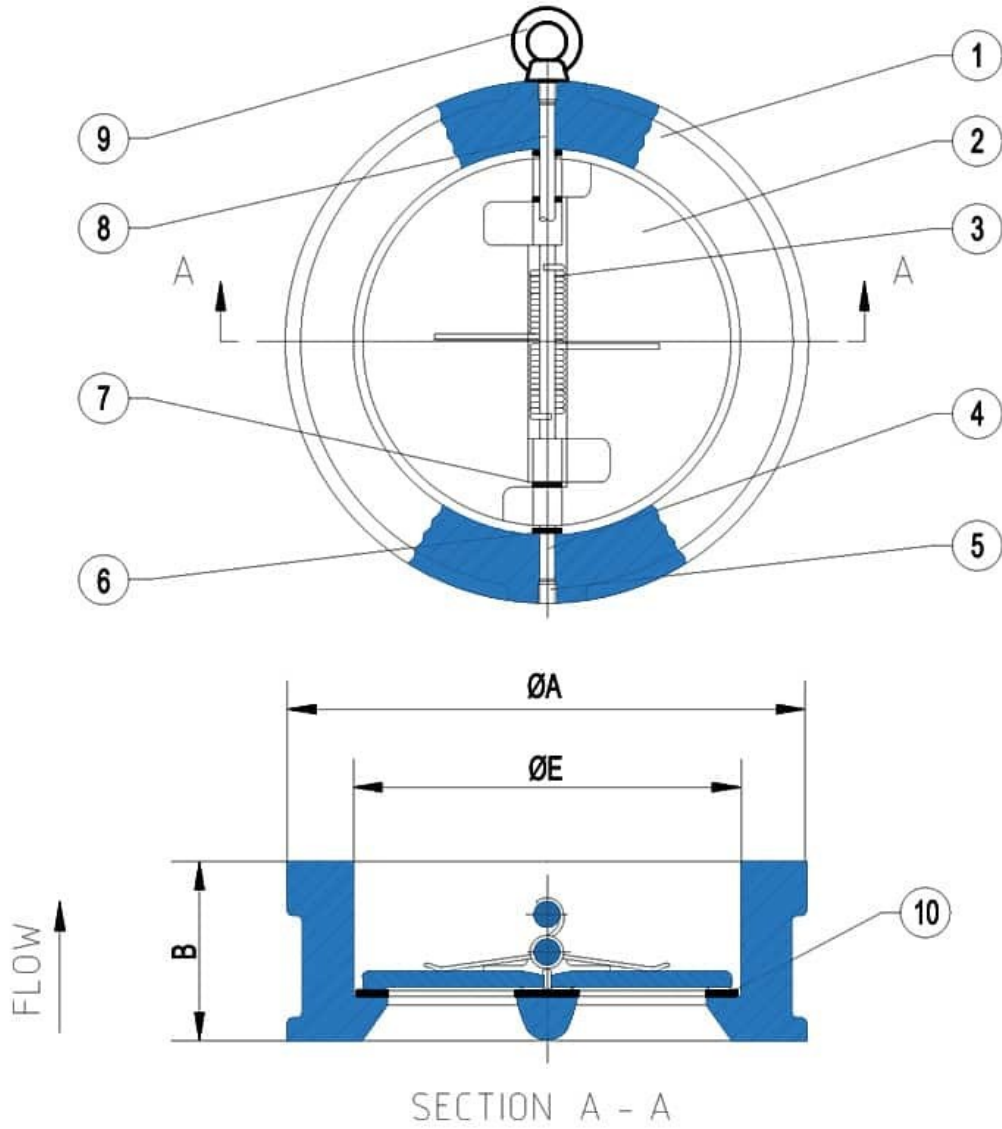
OPTIONS & NOTES

- Operating mode: manual, worm gear, pneumatic, electric, etc.
- Products hold up to 10 international authoritative certification certificates

CHECK VALVE

Dual Plate Wafer Check Valve

SECTION Technical drawing REF EFC-263



CHECK VALVE

Dual Plate Wafer Check Valve

SECTION Dimensions per size REF EFC-263

SIZE	B	E	DIN_PN10_16	ANSI_150	JIS_10K
DN50	43	66	107	102	101
DN65	46	86	127	121	121
DN80	64	95	142	133	131
DN100	64	118	162	171	156
DN125	70	146	192	193	187
DN150	76	174	218	219	217
DN200	89	225	273	276	267
DN250	114	266	328	336	330
DN300	114	311	null	406	375
DN350	127	361	null	448	420
DN400	140	411	null	511	483
DN450	152	451	null	546	538
DN500	152	506	null	603	593
DN600	178	625	null	714	697
DN700	229	721	809	828	807
DN800	241	826	916	936	917

All dimensions in millimetres unless stated otherwise. Values are nominal; tolerances confirmed at quote.