

GATE VALVE

Clamp Fire Fighting Gate Valve

REF **EFC-256** ISSUED 05 Jun 2026

SPECIFICATIONS

Size	DN50–DN1200
Pressure	PN10–PN16
End connection	clamp
Face-to-face	DIN3202 F4/F5, BS5163, ANSI B16.10
Temperature	-10°C to 120°C
Media	Chemicals, air, water, steam, oil, acids, salts

STANDARDS

Design	DIN3352 F4/F5, MSS SP-70, AWWA C509/515, BS5163
Test	DIN3230, BS6755

APPROVALS & CERTIFICATIONS

- LR (Lloyd's Register)
- ECM (Ente Certificazione Macchine)
- ISO
- EAC
- CE
- Bureau Veritas
- ACS (Attestation de Conformité Sanitaire)
- WRAS Approved Product

APPLICATIONS

- Fire protection networks
- Industrial plumbing
- Building water supply systems



MATERIALS

body	Cast Iron, Ductile Iron	wedge	Cast Iron, Ductile Iron
stem	Stainless Steel, Brass	sealing ring	Elastomer
o ring	Elastomer	disc	Cast Iron, Ductile Iron
seat	Elastomer		

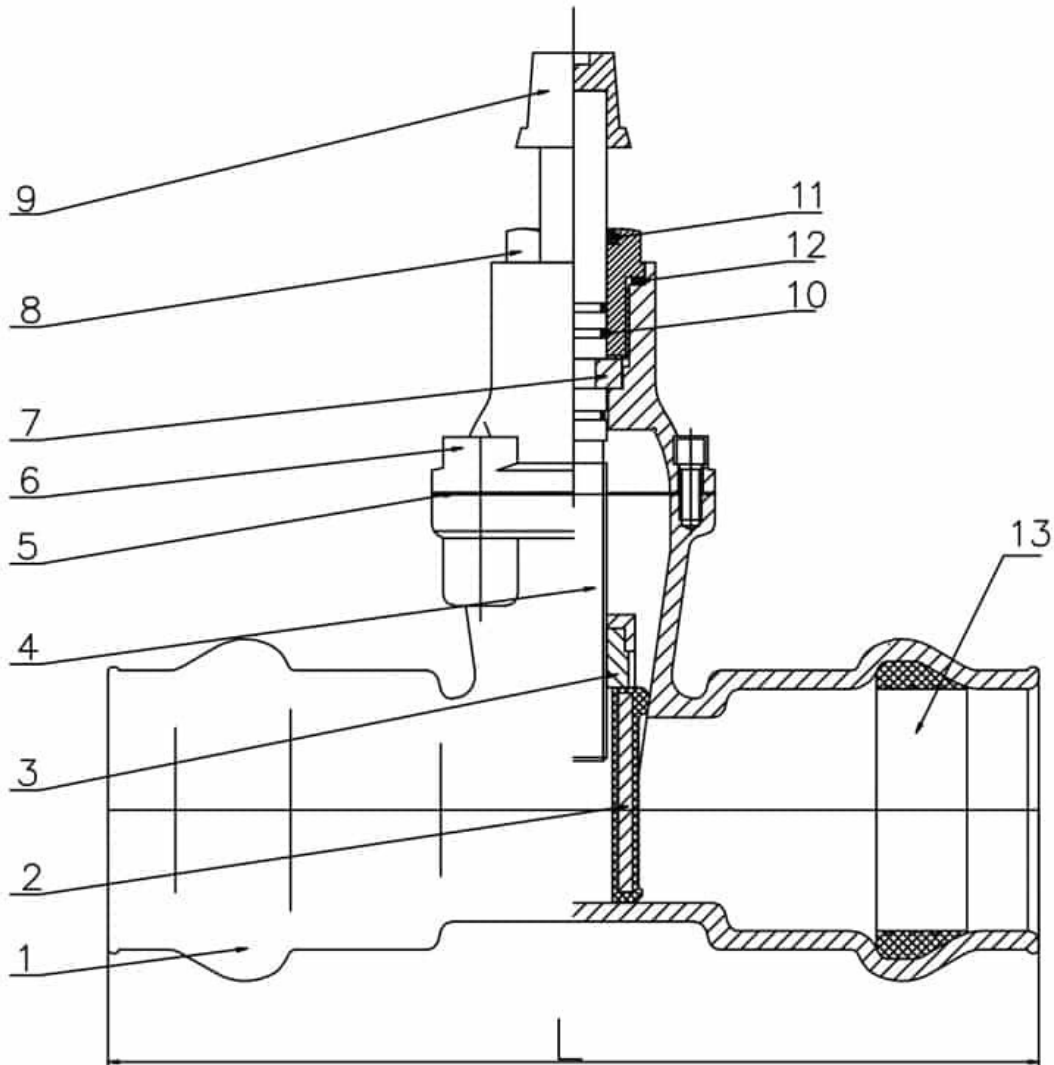
FEATURES

- Clamp connection for easy installation
- Leak-proof operation
- Suitable for new and existing pipelines
- Outside screw and yoke (OS&Y) rising stem gate valve
- Grooved end connections on both ports
- Handwheel operator with locking provision
- Open/closed position indicator visible on stem
- Spring-loaded stem packing arrangement

GATE VALVE

Clamp Fire Fighting Gate Valve

SECTION Technical drawing REF EFC-256



GATE VALVE

Clamp Fire Fighting Gate Valve

SECTION Dimensions per size REF EFC-256

SIZE	F5	SABS
DN40	240	335
DN50	250	335
DN65	270	335
DN80	280	335
DN100	300	355
DN125	325	375
DN150	350	405
DN200	400	450
DN250	450	450
DN300	500	500

All dimensions in millimetres unless stated otherwise. Values are nominal; tolerances confirmed at quote.