

GATE VALVE

Cast Iron Rising Stem Gate Valve with Signal Head

REF **EFC-253** ISSUED 05 Jun 2026

SPECIFICATIONS

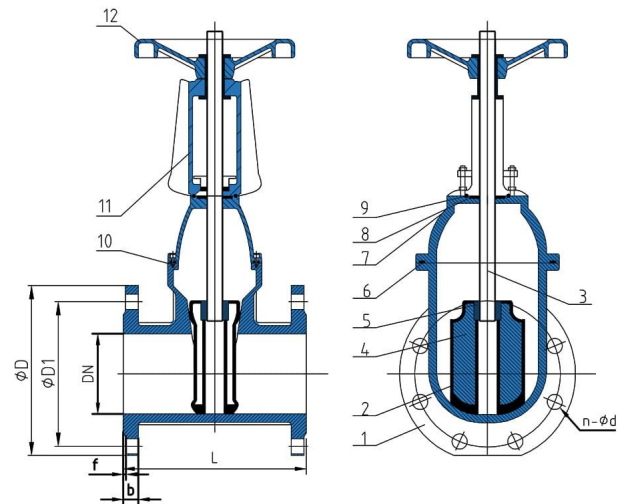
Size	DN50–DN1200
Pressure	PN10–PN16
Temperature	-10°C to 120°C
Media	chemicals, air, water, steam, oil, acids, salts

ACTUATION

- manual handwheel
- actuator

STANDARDS

Design	EN 1074
--------	----------------



APPROVALS & CERTIFICATIONS

- UL/FM (fire protection)
- LR (Lloyd's Register)
- ECM (Ente Certificazione Macchine)
- ISO
- EAC
- CE
- Bureau Veritas
- ACS (Attestation de Conformité Sanitaire)
- WRAS Approved Product
- BS5163 (face-to-face dimension series)
- PN10
- PN16
- JIS 10K
- ANSI 150

COATINGS & LINING

- corrosion-resistant coating

APPLICATIONS

- fire protection systems
- water supply networks
- industrial pipelines requiring shut-off and system monitoring
- underground installations
- outdoor installations
- automated water control

MATERIALS

body	Cast Iron, Stainless Steel	seat	Elastomer
shaft	Stainless Steel	disc	Cast Iron, Stainless Steel, Copper Alloy
wedge nut	Copper Alloy	bonnet gasket	Elastomer
bonnet	Cast Iron	packing	Graphite
sealing ring	Elastomer	socket head screw	Stainless Steel
yoke	Cast Iron	hand wheel	Cast Iron
pin	Cast Iron, Stainless Steel	bushing	Polymer, Copper Alloy
o ring	Elastomer	stem	Stainless Steel

FEATURES

- Rising stem design provides visual open/closed position indication
- Integrated signal head enables remote monitoring via electrical control systems
- Resilient seated EPDM wedge for bubble-tight sealing
- Corrosion-resistant coating for harsh environments
- Outside screw and yoke (OS&Y) rising stem design
- Resilient-seated gate valve with rubber-encapsulated wedge gate
- Flanged end connections
- Position indicator on stem
- Handwheel operated
- Suitable for fire protection service (red epoxy coating)

OPTIONS & NOTES

- Available in various pressure ratings and sizes
- Our products hold up to 10 international authoritative certification certificates

GATE VALVE

Cast Iron Rising Stem Gate Valve with Signal Head

SECTION Technical drawing REF EFC-253

