

BALL VALVE

Cast Iron Flanged Ball Valve

REF **EFC-250** ISSUED 05 Jun 2026

SPECIFICATIONS

Size	DN15–DN200
Pressure	PN16
End connection	flanged (DIN / BS / UNI / ISO / ANSI / AS / JIS)
Face-to-face	API609, BS5155, DIN3202, ISO5752
Media	water, wastewater, HVAC fluids, food and beverage media, chemical/petrochemical fluids

ACTUATION

- manual lever — Hand lever, CI/DI — ISO5211

APPROVALS & CERTIFICATIONS

- LR (Lloyd's Register)
- ECM (Ente Certificazione Macchine)
- ISO
- EAC
- CE
- Bureau Veritas
- ACS (Attestation de Conformité Sanitaire)
- WRAS Approved Product

APPLICATIONS

- HVAC
- Water Supply & Sewage
- Food & Beverage
- Chemical/Petrochemical/Processing
- Power & Utilities
- Paper and Pulp
- Ship Building



MATERIALS

body	Cast Iron / Ductile Iron	bonnet	Cast Iron / Ductile Iron
ball	Stainless Steel	stem	Stainless Steel
seat	PTFE	hand lever	Cast Iron / Ductile Iron
disc	Stainless Steel		

FEATURES

- Quarter-turn operation
- Flanged end connections compatible with multiple international standards
- PTFE seats
- Stainless steel ball
- Cast iron or ductile iron body and bonnet
- ISO5211 mounting flange for actuator compatibility
- Flanged end connections with raised face flanges
- Split body (two-piece) construction secured with bolted mid-body joint
- Top-mounted stem with lever operator and lockable handle
- ISO 5211 top flange mounting pad visible on actuator-ready variant (image 2)
- Full-bore (full-port) ball passage visible in sectional drawing
- Body bolt/stud arrangement at mid-body split line
- Drain/vent plug at bottom of body (item 6 in sectional drawing)

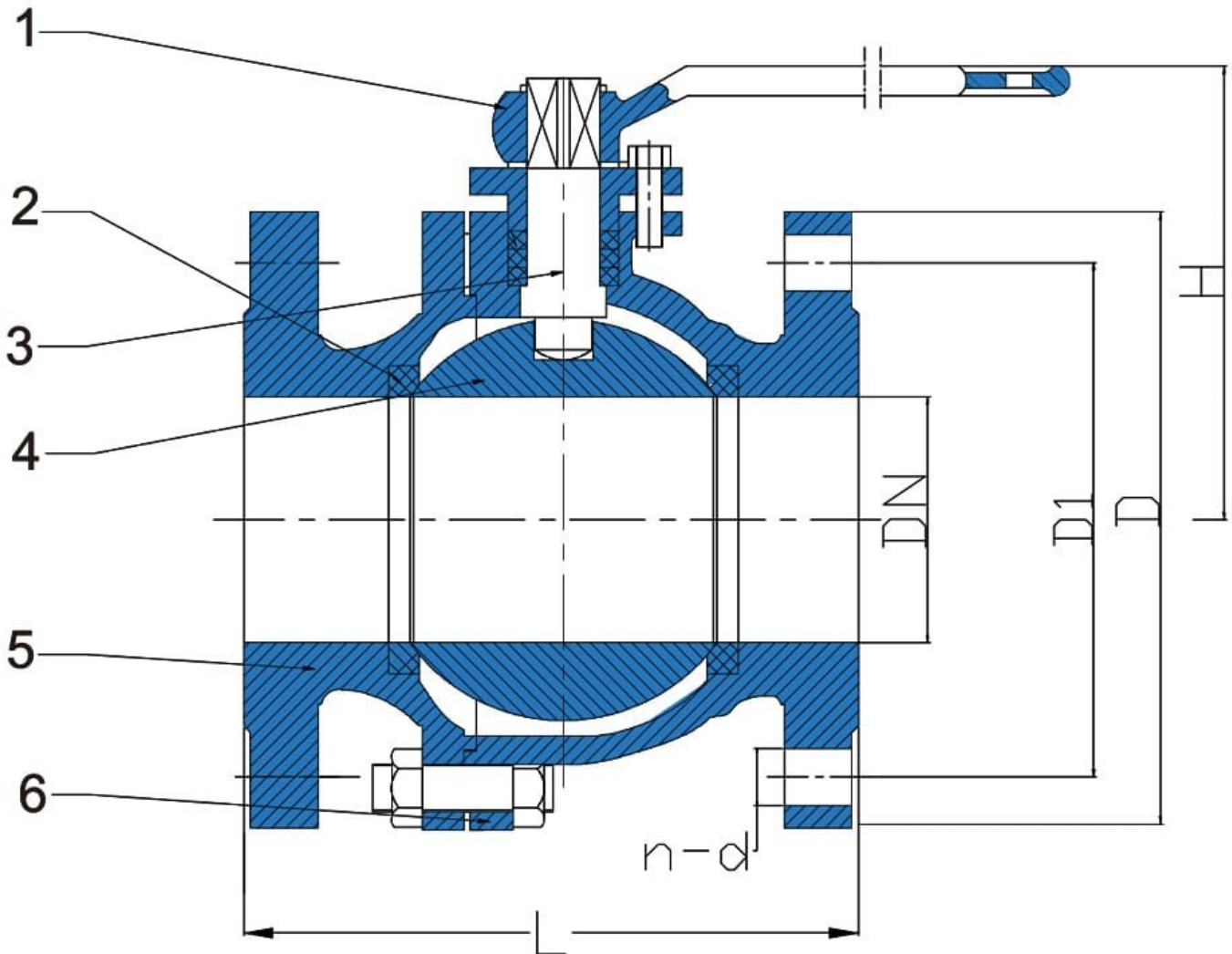
OPTIONS & NOTES

- Products hold up to 10 international authoritative certification certificates — specific certificates not listed on page

BALL VALVE

Cast Iron Flanged Ball Valve

SECTION Technical drawing REF EFC-250



BALL VALVE

Cast Iron Flanged Ball Valve

SECTION Dimensions per size REF EFC-250

SIZE	L	H	D	D1	N-D
DN15	115	59	95	65	4-15
DN20	120	63	105	75	4-15
DN25	125	75	115	85	4-15
DN32	130	86	140	100	4-19
DN40	140	105	150	110	4-19
DN50	150	115	165	125	4-19
DN65	170	135	185	145	4-19
DN80	180	155	200	160	8-19
DN100	190	170	220	180	8-19
DN125	325	195	250	210	8-19
DN150	350	240	285	240	8-23
DN200	400	295	340	295	12-23

All dimensions in millimetres unless stated otherwise. Values are nominal; tolerances confirmed at quote.