

CHECK VALVE

# Ball Type Check Valve

REF **EFC-247** ISSUED 05 Jun 2026

## SPECIFICATIONS

Size	<b>DN50–DN600</b>
Pressure	<b>PN10–PN16</b>
End connection	<b>flanged / flanged</b>
Face-to-face	<b>F6</b>
Temperature	<b>0°C to 80°C</b>
Media	<b>cold water, hot water, wastewater, slurry, media with suspended solids</b>

## APPROVALS & CERTIFICATIONS

- LR (Lloyd's Register) approval
- ECM (Ente Certificazione Macchine) certification
- ISO
- EAC
- CE marking
- Bureau Veritas certification
- ACS (Attestation de Conformité Sanitaire)
- WRAS Approved Product

## APPLICATIONS

- diving drainage pump
- underground pipelines
- water treatment plants
- chemical processing systems



**MATERIALS**

---

body	<b>Ductile Iron</b>	bonnet	<b>Ductile Iron</b>
seal	<b>Elastomer</b>		

---

**FEATURES**

- Ball disc covered with rubber for sealing
- One-way flow with automatic reverse flow blocking by gravity or pressure difference
- Full-bore water channel providing large flow capacity
- Head loss less than swing check valve by 50%
- Suitable for horizontal or vertical installation
- Self-cleaning internal ball seat resistant to clogging
- Compact design with minimal space requirements
- Flanged end connections
- Ball-type check mechanism (ball visible in sectional cross-section)
- Top-access cover retained by bolts (parts 2 and 4 in sectional diagram)
- Flow direction arrow cast into body
- Drain/bleed plug fitted at bottom of body
- Pressure rating PN16 cast into body
- Body material grade GG50 (grey cast iron EN-GJL-250) cast into body
- Dimensional references L (face-to-face), ØD (flange OD), ØD1 (bolt circle diameter), ØD2 (bore/port diameter) shown on cross-section drawing

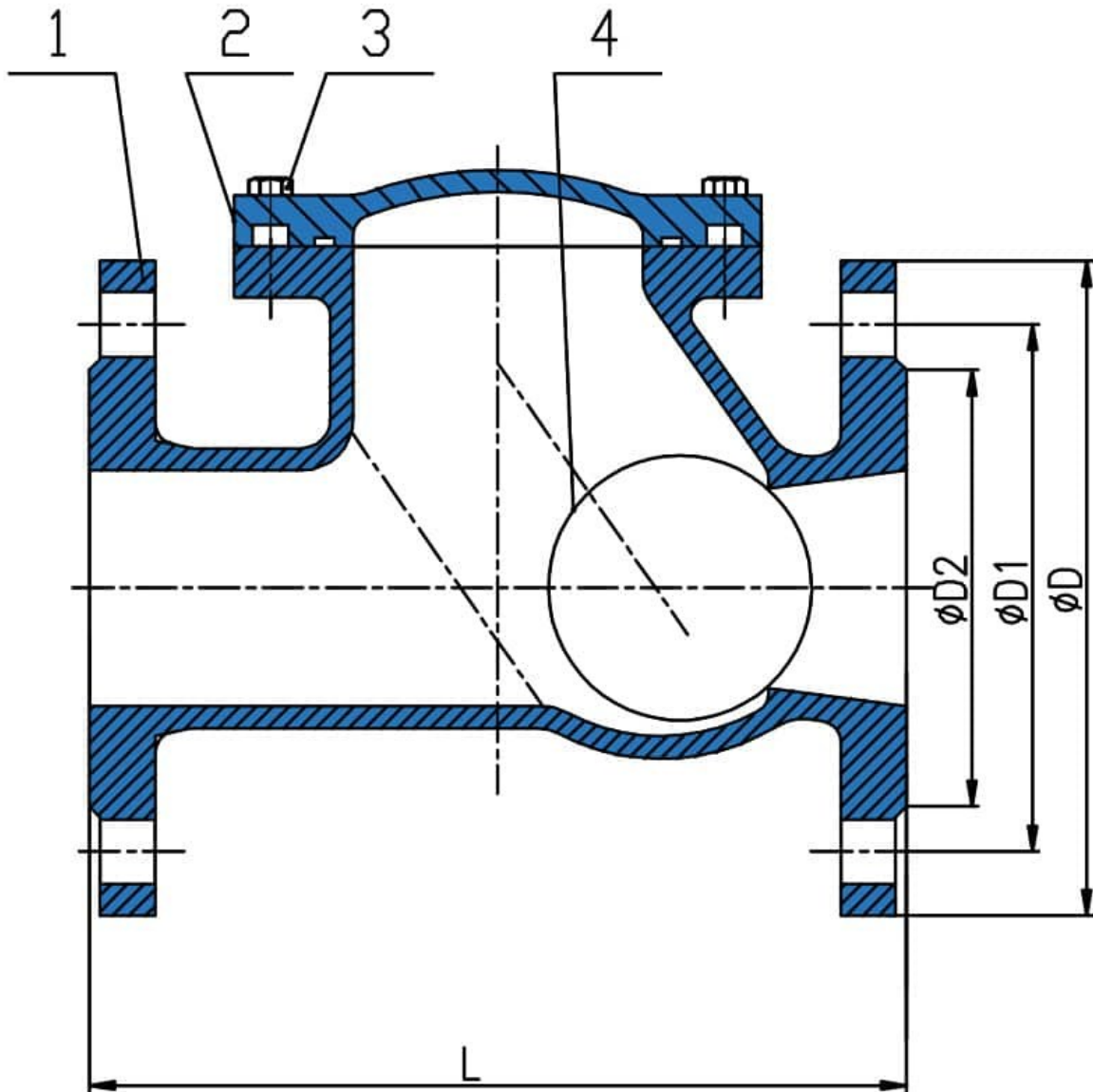
**OPTIONS & NOTES**

- Available in ductile iron, cast iron, and stainless steel options

CHECK VALVE

# Ball Type Check Valve

SECTION Technical drawing REF EFC-247



CHECK VALVE

# Ball Type Check Valve

SECTION Dimensions per size REF EFC-247

SIZE	L	D_PN10	D1_PN10	D2_PN10	N_D_PN10	D_PN16	D1_PN16	D2_PN16	N_D_PN16
DN50	200	165	125	102	4-18	165	125	102	4-18
DN65	240	185	145	122	4-18	185	145	122	4-18
DN80	260	200	160	138	8-18	200	160	138	8-18
DN100	300	220	180	158	8-18	220	180	158	8-18
DN125	350	250	210	188	8-18	250	210	188	8-18
DN150	400	285	240	212	8-23	285	240	212	8-23
DN200	500	340	295	268	8-23	340	295	268	12-23
DN250	600	395	350	320	12-23	405	355	320	12-27
DN300	700	445	400	370	12-23	460	410	378	12-27
DN350	800	505	460	430	16-23	520	470	438	16-27
DN400	900	565	515	482	16-27	580	525	490	16-30
DN450	1000	615	565	530	20-27	640	585	550	20-30
DN500	1100	670	620	585	20-27	715	650	610	20-33
DN600	1300	780	725	685	20-30	840	770	725	20-36

All dimensions in millimetres unless stated otherwise. Values are nominal; tolerances confirmed at quote.