

API VALVE

API Lubricated Plug Valve

REF **EFC-234** ISSUED 05 Jun 2026

SPECIFICATIONS

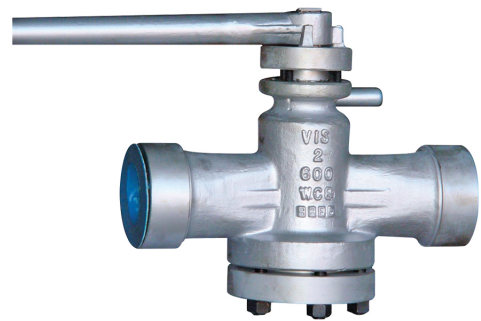
Size	NPS 1/2–NPS 14
Pressure	Class 150–Class 300
End connection	flanged (ASME B16.5) / flanged (ASME B16.5) / butt-weld (ASME B16.25)
Face-to-face	ASME B16.10, API 6D

ACTUATION

- manual handwheel — Handwheel Operation
- gear operator — Gear Operation

STANDARDS

Design	API 599, API 6D
Test	API 598



MATERIALS

body	carbon steel, low-temperature carbon steel, alloy steel, stainless steel	gasket	graphite/stainless steel, PTFE
stem	alloy steel, stainless steel	o ring	elastomer
packing	graphite/stainless steel, PTFE		

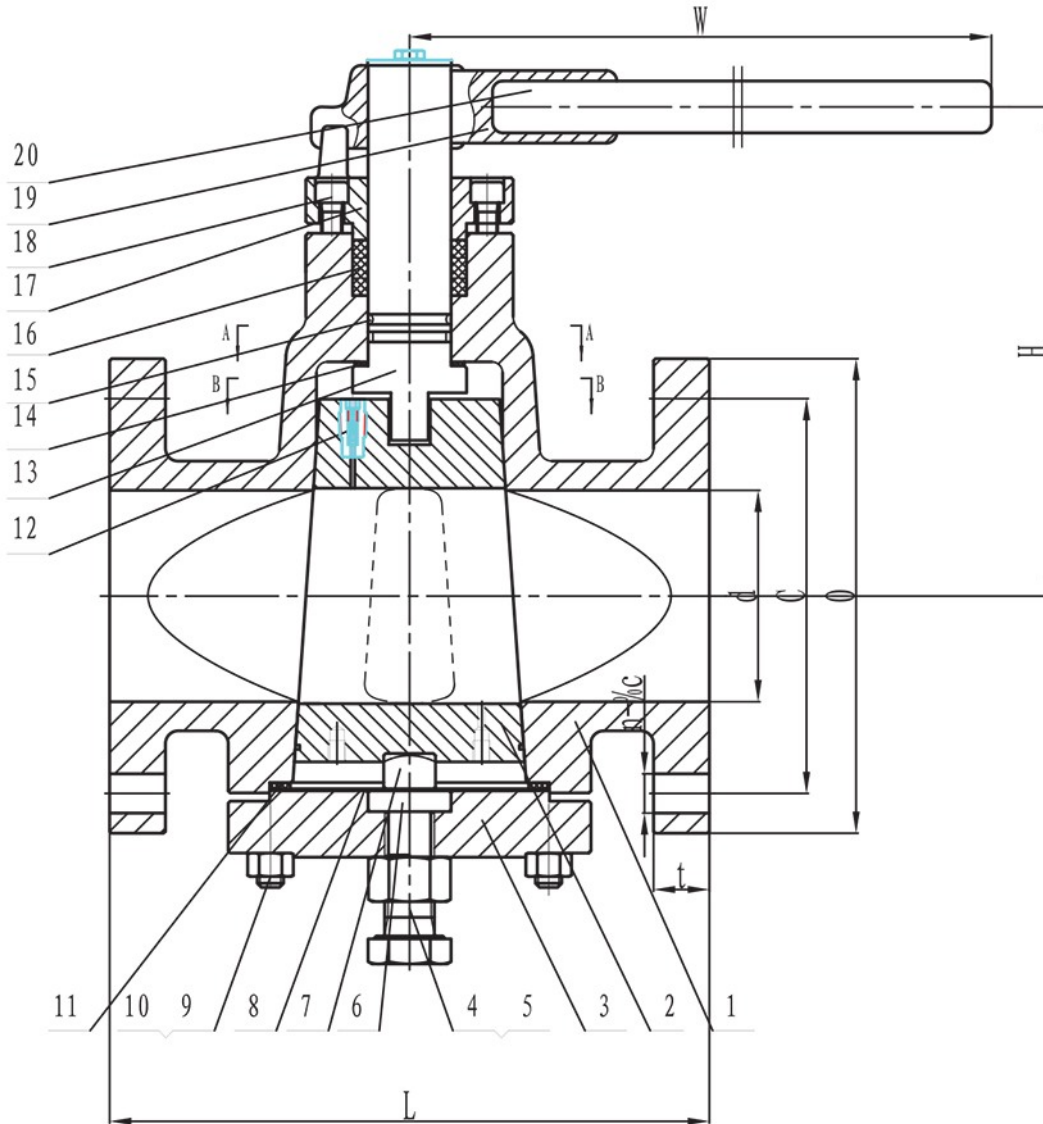
FEATURES

-
- Inverted pressure-balance construction
 - Lubricated plug design
 - Tapered plug element
 - Check valve incorporated for lubrication retention
 - Available in carbon steel, alloy steel, and stainless steel material configurations

API VALVE

API Lucricated Plug Valve

SECTION Technical drawing REF EFC-234



API VALVE

API Lubricated Plug Valve

SECTION Dimensions per size REF EFC-234

SIZE	L_C150	D_C150	H_C150	W_C150	L_C300	D_C300	H_C300	W_C300	WEIGHT
NPS 1/2 (DN15)	108	13	180	400	140	13	180	400	10 kg
NPS 3/4 (DN20)	117	19	180	400	152	19	180	400	12 kg
NPS 1 (DN25)	127	25	185	500	165	25	185	500	14 kg
NPS 1 1/4 (DN32)	140	32	200	500	178	32	200	600	17 kg
NPS 1 1/2 (DN40)	165	38	214	600	190	38	210	600	19 kg
NPS 2 (DN50)	178	49	215	600	216	49	215	820	21 kg
NPS 2 1/2 (DN65)	190	62	250	820	241	62	250	1000	29 kg
NPS 3 (DN80)	203	74	270	820	283	74	270	1000	33 kg
NPS 4 (DN100)	229	100	300	300	305	100	300	300	48 kg
NPS 5 (DN125)	254	127	340	300	381	127	340	300	75 kg
NPS 6 (DN150)	267	150	365	320	403	150	365	320	98 kg
NPS 8 (DN200)	292	201	400	320	419	201	400	320	125 kg
NPS 10 (DN250)	330	252	450	350	457	252	450	350	171 kg
NPS 12 (DN300)	356	303	510	380	502	303	510	380	230 kg
NPS 14 (DN350)	381	334	590	380	762	334	590	380	370 kg

All dimensions in millimetres unless stated otherwise. Values are nominal; tolerances confirmed at quote.