

API VALVE

API Sleeve Type Soft Sealing Plug Valve

REF **EFC-233** ISSUED 05 Jun 2026

SPECIFICATIONS

Size	NPS 1/2–NPS 14
Pressure	Class 150–Class 300
End connection	flanged (ASME B16.5) / flanged (ASME B16.5) / butt-weld (ASME B16.25)
Face-to-face	ASME B16.10, API 6D

ACTUATION

- worm gear (handwheel) — Cast iron or Carbon Steel worm

STANDARDS

Design	API 599, API 6D
Test	API 598

MATERIALS

body	carbon steel, alloy steel, stainless steel	bonnet	carbon steel, alloy steel, stainless steel
gasket	composite		

FEATURES

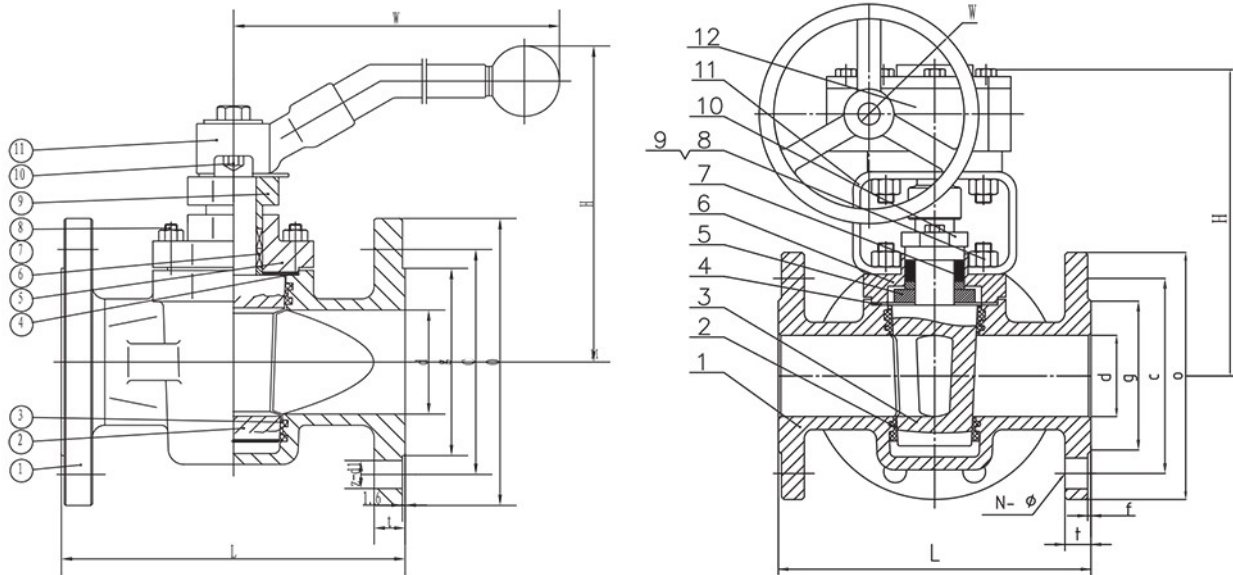
- PTFE sleeve provides soft sealing for the plug
- Adjustable gland arrangement with adjusting gasket and adjusting bolt
- Worm gear operator with yoke for larger sizes
- Available in carbon steel, alloy steel, and stainless steel material configurations
- Flexible graphite + SS or PTFE gasket options
- Flanged and butt-welding end connection options



API VALVE

API Sleeve Type Soft Sealing Plug Valve

SECTION Technical drawing REF EFC-233



API VALVE

API Sleeve Type Soft Sealing Plug Valve

SECTION Dimensions per size REF EFC-233

SIZE	L_C150	D_C150	H_C150	DO_C150	L_C300	D_C300	H_C300	DO_C300	WEIGHT
NPS 1/2 (DN15)	108	13	110	175	140	13	110	175	8.5 kg
NPS 3/4 (DN20)	117	19	115	175	152	19	115	175	9.5 kg
NPS 1 (DN25)	127	25	115	175	165	25	115	175	10.5 kg
NPS 1 1/4 (DN32)	140	32	135	220	178	32	135	220	12 kg
NPS 1 1/2 (DN40)	165	38	140	280	190	38	140	280	14 kg
NPS 2 (DN50)	178	49	150	305	216	49	150	305	18 kg
NPS 2 1/2 (DN65)	190	62	165	350	241	62	165	350	22 kg
NPS 3 (DN80)	203	74	180	405	283	74	180	405	26 kg
NPS 4 (DN100)	229	100	380	300	305	100	380	300	40 kg
NPS 5 (DN125)	254	127	460	300	381	127	460	300	60 kg
NPS 6 (DN150)	267	150	520	320	403	150	520	320	70 kg
NPS 8 (DN200)	292	201	580	320	419	201	580	320	130 kg
NPS 10 (DN250)	330	252	620	350	457	252	620	350	219 kg
NPS 12 (DN300)	356	303	680	380	502	303	680	380	381 kg
NPS 14 (DN350)	381	334	760	450	762	334	760	450	570 kg

All dimensions in millimetres unless stated otherwise. Values are nominal; tolerances confirmed at quote.