

API VALVE

API Butterfly Valve

MODEL **VHPBF-C150** REF **EFC-231** ISSUED **05 Jun 2026**

SPECIFICATIONS

Size	NPS 2 / DN50–NPS 44 / DN1100 (Class 150); NPS 40 / DN1000 (Class 300)
Pressure	Class 150–Class 300
End connection	flanged / flanged

ACTUATION

- pneumatic — available on request according to actual valve working condition
- electric — available on request according to actual valve working condition
- hydraulic — available on request according to actual valve working condition

STANDARDS

Design	API
--------	------------

FEATURES

- Triple offset design
- Multi-layer sealing ring on disc
- Seat protection ring
- Flanged end connections

OPTIONS & NOTES

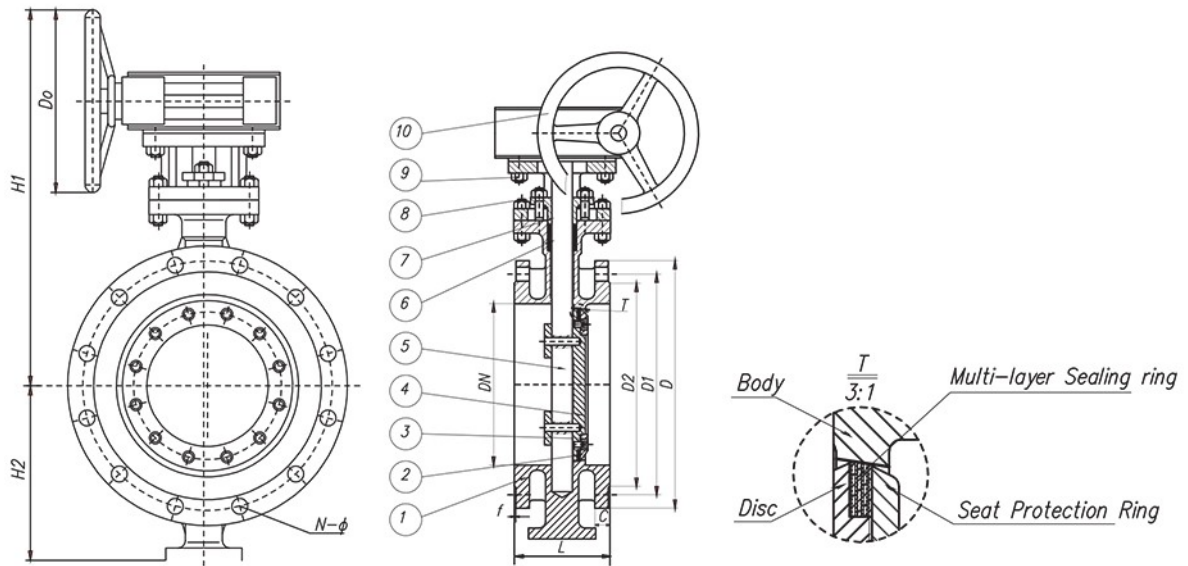
- Noted: We may provide other different actuators according to the customer's request, such as pneumatic, electric, hydraulic actuators, the details of them according to the actual valve working condition.



API VALVE

API Butterfly Valve

SECTION Technical drawing REF EFC-231



API VALVE

API Butterfly Valve

SECTION Dimensions per size REF EFC-231

SIZE	L	H1	H2	D	WEIGHT
NPS 2 / DN50	108	305	115	160	21 kg
NPS 2 1/2 / DN65	112	315	125	160	24 kg
NPS 3 / DN80	114	330	135	160	27 kg
NPS 4 / DN100	127	360	140	160	28 kg
NPS 5 / DN125	140	450	170	280	30 kg
NPS 6 / DN150	140	475	175	280	50 kg
NPS 8 / DN200	152	525	240	280	75 kg
NPS 10 / DN250	165	570	270	280	105 kg
NPS 12 / DN300	178	630	315	320	155 kg
NPS 14 / DN350	190	675	345	350	190 kg
NPS 16 / DN400	216	720	395	350	230 kg
NPS 18 / DN450	222	805	405	350	300 kg
NPS 20 / DN500	229	895	430	400	380 kg
NPS 24 / DN600	267	950	500	400	490 kg
NPS 26 / DN650	267	960	515	400	580 kg
NPS 28 / DN700	292	1030	520	400	660 kg
NPS 30 / DN750	308	1080	545	450	740 kg

API Butterfly Valve

Dimensions per size (continued) · EFC-231

SIZE	L	H1	H2	D	WEIGHT
NPS 32 / DN800	318	1135	620	450	820 kg
NPS 36 / DN900	330	1175	620	450	1100 kg
NPS 40 / DN1000	410	1270	720	500	1430 kg
NPS 44 / DN1100	450	1335	768	500	2200 kg
NPS 2 / DN50	150	315	115	500	32 kg
NPS 2 1/2 / DN65	170	325	125	160	39 kg
NPS 3 / DN80	180	340	135	160	42 kg
NPS 4 / DN100	190	435	140	160	45 kg
NPS 5 / DN125	200	475	170	280	48 kg
NPS 6 / DN150	210	510	220	280	80 kg
NPS 8 / DN200	230	520	240	280	120 kg
NPS 10 / DN250	250	625	270	280	168 kg
NPS 12 / DN300	270	670	320	350	248 kg
NPS 14 / DN350	290	765	370	350	304 kg
NPS 16 / DN400	310	840	410	350	368 kg
NPS 18 / DN450	330	910	420	400	480 kg
NPS 20 / DN500	350	980	460	400	608 kg
NPS 24 / DN600	390	1080	540	400	784 kg
NPS 26 / DN650	390	1130	585	450	928 kg
NPS 28 / DN700	430	1175	640	450	1056 kg

API Butterfly Valve

Dimensions per size (continued) · EFC-231

SIZE	L	H1	H2	D	WEIGHT
NPS 30 / DN750	430	1265	700	500	1184 kg
NPS 32 / DN800	470	1300	765	500	1312 kg
NPS 36 / DN900	510	1380	820	500	1760 kg
NPS 40 / DN1000	550	1460	890	500	2288 kg

All dimensions in millimetres unless stated otherwise. Values are nominal; tolerances confirmed at quote.