

API VALVE

# API Swing Check Valve

MODEL VCS-C600 REF EFC-226 ISSUED 05 Jun 2026

## SPECIFICATIONS

Size	NPS 2–NPS 24
Pressure	Class 600–Class 2500
End connection	flanged (RF (Raised Face)) / flanged (RTJ (Ring Type Joint)) / butt-weld

## STANDARDS

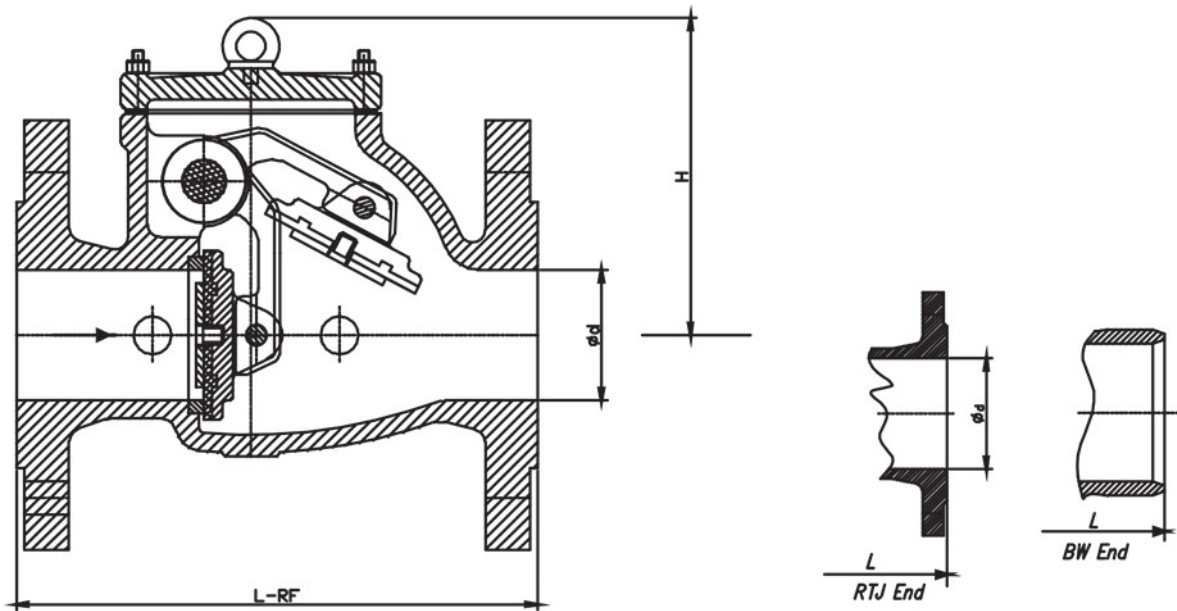
Design	API
--------	-----



API VALVE

# API Swing Check Valve

SECTION Technical drawing REF EFC-226



API VALVE

# API Swing Check Valve

SECTION Dimensions per size REF EFC-226

SIZE	L	RF	CL	600	J	CL	600	H	CL	600	RF	CL	900	J	CL	900	H	CL	900	RF	CL	1350	J	CL	1350	H	CL	1500	RF	CL	2350	J	CL	2350	H	CL	2500	RF	CL	2500	WEIGHT		
<b>NPS 2 / DN50</b>	292	295	292	51	170	368	371	368	51	183	368	371	368	48	265	451	454	451	38	285																							26 kg
<b>NPS 2 1/2 / DN65</b>	330	333	330	64	178	419	422	419	64	220	419	422	419	57	240	508	514	508	48	305																							35 kg
<b>NPS 3 / DN80</b>	356	359	356	76	225	381	384	381	73	280	470	473	470	70	303	578	584	578	57	350																							59 kg
<b>NPS 4 / DN100</b>	432	435	432	102	275	457	460	457	98	315	546	549	546	92	340	673	683	673	73	410																							99 kg
<b>NPS 5 / DN125</b>	508	511	508	127	320	559	562	559	127	360	673	676	673	127	380	794	807	794	96	490																							155 kg
<b>NPS 6 / DN150</b>	559	562	559	152	385	610	613	610	146	390	705	711	705	137	430	914	927	914	111	540																							208 kg
<b>NPS 8 / DN200</b>	660	664	660	200	445	737	740	737	190	460	832	841	832	178	500	1022	1038	1022	146	620																							357 kg
<b>NPS 10 / DN250</b>	787	791	787	248	500	838	841	838	238	540	991	1000	991	222	605	1270	1292	1270	184	705																							561 kg
<b>NPS 12 / DN300</b>	838	841	838	298	570	965	968	965	283	640	1130	1146	1130	264	785	1422	1445	1422	219	855																							752 kg
<b>NPS 14 / DN350</b>	889	892	889	327	590	1029	1038	1029	311	680	1257	1276	1257	289	830	—	—	—	—	—																							889 kg
<b>NPS 16 / DN400</b>	991	994	991	375	650	1130	1140	1130	356	780	1384	1407	1384	330	950	—	—	—	—	—																							1285 kg
	1092	1095	1092	419	778	1219	1232	1219	400	845	1537	1559	1537	371	1080	—	—	—	—	—																							1800 kg

