

API VALVE

# ABI Forged Steel Globe Valve

MODEL **VDBS-800** REF **EFC-223** ISSUED **05 Jun 2026**

## SPECIFICATIONS

Size	<b>NPS 1/2"–NPS 2"</b>
Pressure	<b>Class 150–Class 2500</b>
End connection	<b>socket-weld (ASME B16.11) / threaded (ASME B1.20.1)</b>

## ACTUATION

- manual handwheel

## STANDARDS

Design	<b>API 602</b>
Test	<b>API 598</b>



**MATERIALS**

body	<b>carbon steel, austenitic stainless steel</b>	disc	<b>carbon steel, austenitic stainless steel</b>
stem	<b>alloy steel, austenitic stainless steel</b>	bonnet	<b>carbon steel, austenitic stainless steel</b>
handwheel	<b>malleable iron</b>		

**FEATURES**

- Available in welded bonnet and bolted bonnet configurations
- Socket-welding and threaded end connection options
- Three material options: carbon steel (A105), F304 stainless steel, F316 stainless steel

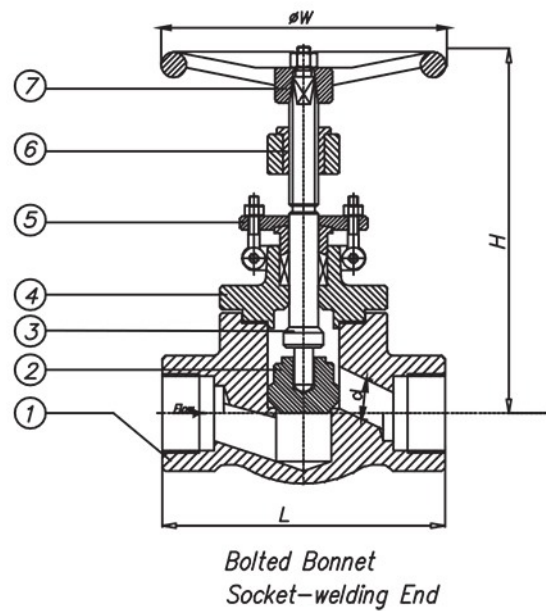
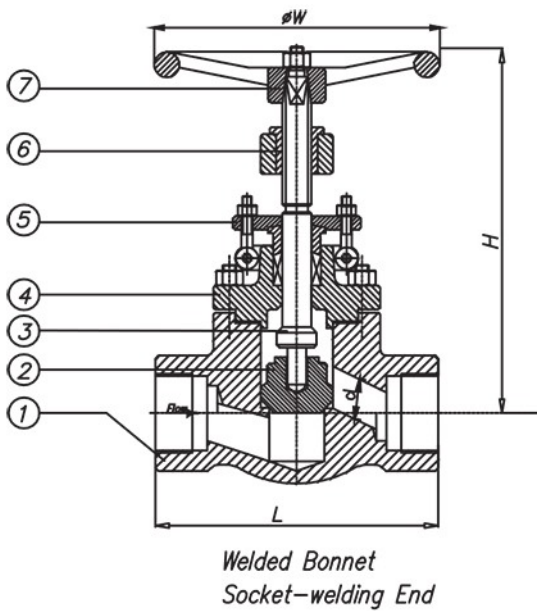
**PRESSURE-TEMPERATURE RATING**

<b>CLASS</b>	<b>TEMPERATURE</b>	<b>MAX PRESSURE</b>
Class 150	°C	bar
Class 900	°C	bar
Class 1500	°C	bar
Class 2500	°C	bar

API VALVE

# ABI Forged Steel Globe Valve

SECTION Technical drawing REF EFC-223



API VALVE

# ABI Forged Steel Globe Valve

SECTION Dimensions per size REF EFC-223

SIZE	L	D	H	W	WEIGHT
NPS 1/2" (DN15)	79	10	158	100	2 kg
NPS 3/4" (DN20)	92	13	158	100	2.2 kg
NPS 1" (DN25)	111	17.5	192	125	2.5 kg
NPS 1 1/4" (DN32)	120	23	227	160	5.5 kg
NPS 1 1/2" (DN40)	152	28.5	240	160	7 kg
NPS 2" (DN50)	172	35	279	180	11.5 kg
NPS 1/2" (DN15) Class 900-1500	92	10	187	125	3.5 kg
NPS 3/4" (DN20) Class 900-1500	111	13	187	125	4 kg
NPS 1" (DN25) Class 900-1500	120	17.5	227	160	6.3 kg
NPS 1 1/4" (DN32) Class 900-1500	152	23	242	160	8 kg
NPS 1 1/2" (DN40) Class 900-1500	172	28.5	278	180	12.5 kg
NPS 2" (DN50) Class 900-1500	220	35	325	200	19.5 kg
NPS 1/2" (DN15) Class 2500	150	11	293	160	10.8 kg
NPS 3/4" (DN20) Class 2500	150	11	293	160	12 kg

## ABI Forged Steel Globe Valve

Dimensions per size (continued) · EFC-223

SIZE	L	D	H	W	WEIGHT
<b>NPS 1" (DN25) Class 2500</b>	170	14	344	200	13.5 kg
<b>NPS 1 1/4" (DN32) Class 2500</b>	200	16	383	250	18.5 kg
<b>NPS 1 1/2" (DN40) Class 2500</b>	200	25	383	250	22 kg
<b>NPS 2" (DN50) Class 2500</b>	250	28	442	300	37 kg

*All dimensions in millimetres unless stated otherwise. Values are nominal; tolerances confirmed at quote.*