

API VALVE

# API Globe Valve

MODEL **VBV-C600** REF **EFC-222** ISSUED **05 Jun 2026**

## SPECIFICATIONS

Size	<b>NPS 2–NPS 12</b>
Pressure	<b>Class 600–Class 1500</b>
End connection	<b>flanged (RF (Raised Face)) / flanged (RTJ (Ring Type Joint)) / butt-weld</b>

## ACTUATION

- handwheel — H.W (Handwheel operation)
- gear operator — G.O (Gear Operation)
- pneumatic — Available on request per actual valve working condition
- electric — Available on request per actual valve working condition
- hydraulic — Available on request per actual valve working condition

## STANDARDS

Design	<b>API</b>
--------	------------

## FEATURES

- Available in Class 600, Class 900, and Class 1500 pressure ratings
- End connections available as raised face flanged (RF), ring type joint (RTJ), and butt-weld (BW)
- Gear operation available for larger sizes
- Multiple actuator types available on request

## OPTIONS & NOTES

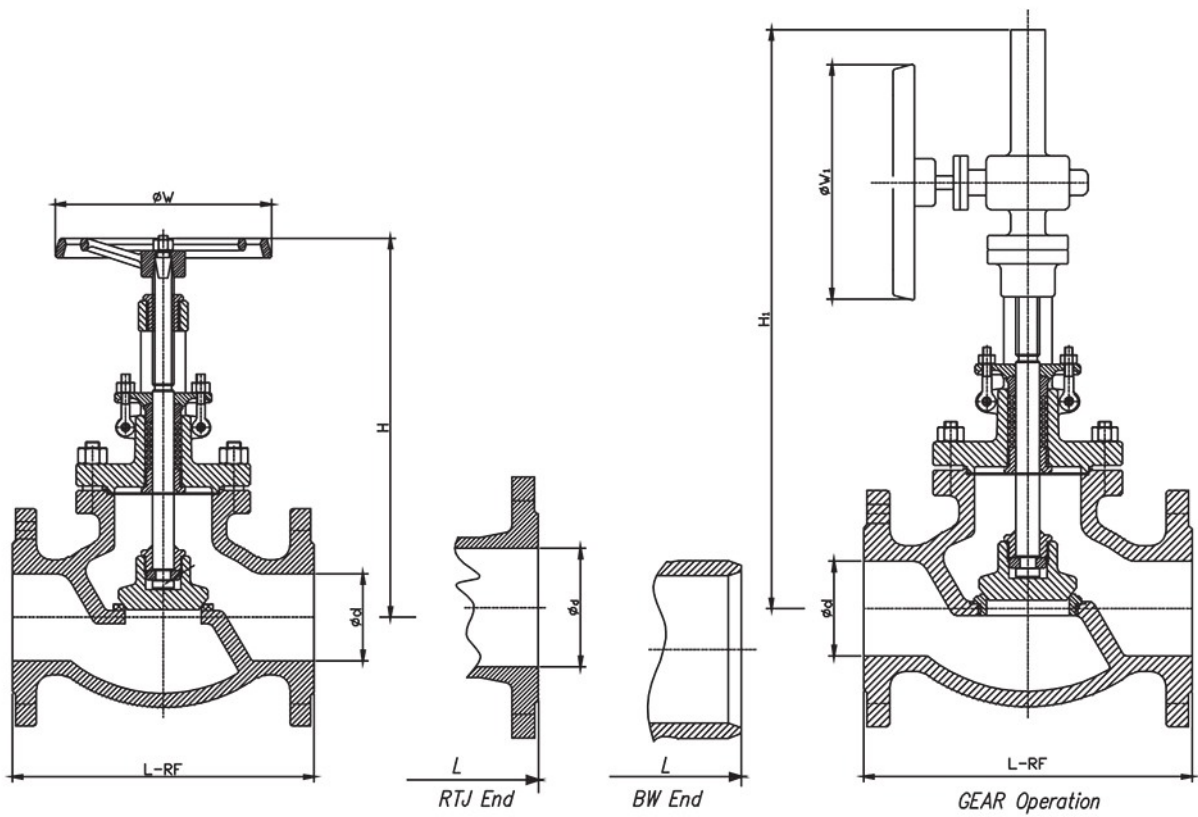
- We may provide other different actuators according to the customer's request, such as pneumatic, electric, hydraulic actuators, the details of them according to the actual valve working condition.



API VALVE

# API Globe Valve

SECTION Technical drawing REF EFC-222



API VALVE

# API Globe Valve

SECTION Dimensions per size REF EFC-222

SIZE	L_RF	L_RTJ	L_BW	D	H	W	H1	W1	WEIGHT
NPS 2 / DN50	292	295	292	51	360	250	—	—	35 kg
NPS 2 1/2 / DN65	330	333	330	64	410	280	—	—	42 kg
NPS 3 / DN80	356	359	356	76	465	280	—	—	66 kg
NPS 4 / DN100	432	435	432	102	545	400	575	310	117 kg
NPS 5 / DN125	508	511	508	127	625	500	660	310	243 kg
NPS 6 / DN150	559	562	559	152	785	550	975	460	263 kg
NPS 8 / DN200	660	664	660	200	930	650	1120	460	469 kg
NPS 10 / DN250	787	791	787	248	—	—	1219	600	875 kg
NPS 12 / DN300	838	841	838	298	—	—	1570	600	1280 kg
NPS 2 / DN50	368	371	368	48	480	350	—	—	55 kg
NPS 2 1/2 / DN65	419	422	419	57	520	350	—	—	68 kg
NPS 3 / DN80	381	384	381	73	564	400	630	310	113 kg
NPS 4 / DN100	457	460	457	98	685	450	720	310	179 kg
NPS 5 / DN125	559	562	559	127	780	550	840	460	270 kg
NPS 6 / DN150	610	613	610	146	950	650	1015	460	429 kg
NPS 8 / DN200	737	740	737	190	1050	700	—	—	815 kg
NPS 2 / DN50	368	371	368	48	505	350	—	—	137 kg

## API Globe Valve

Dimensions per size (continued) · EFC-222

SIZE	L_RF	L_RTJ	L_BW	D	H	W	H1	W1	WEIGHT
<b>NPS 2 1/2 / DN65</b>	419	422	419	57	550	400	—	—	141 kg
<b>NPS 3 / DN80</b>	470	473	470	70	630	450	765	310	261 kg
<b>NPS 4 / DN100</b>	546	549	546	92	808	460	890	310	336 kg
<b>NPS 6 / DN150</b>	705	711	705	137	930	610	1020	530	966 kg
<b>NPS 8 / DN200</b>	832	841	832	178	1140	610	1230	530	1210 kg

All dimensions in millimetres unless stated otherwise. Values are nominal; tolerances confirmed at quote.