

API VALVE

API Trunnion Ball Valve

MODEL VTTBV-C150 REF EFC-218 ISSUED 05 Jun 2026

SPECIFICATIONS

| | |
|----------------|---|
| Size | DN100–DN900 |
| Pressure | Class 150–Class 1500 |
| End connection | flanged (ANSI B16.5) / flanged (ANSI B16.5) / butt-weld (ANSI B16.25) |
| Face-to-face | API 6D, ANSI B16.25 |

ACTUATION

- gear handwheel — Carbon Steel/Gray Iron gear
- pneumatic — available on request
- electric — available on request
- hydraulic — available on request

STANDARDS

| | |
|--------|-----------------|
| Design | API 6D, API 608 |
| Test | API 6D, API 598 |

APPROVALS & CERTIFICATIONS

- API 1607 (Fire-safe)
- API 6FA (Fire-safe)



MATERIALS

| | | | |
|--------|---------------------------------------|--------|------------------------|
| body | carbon steel, stainless steel | ball | stainless steel |
| seat | PTFE | stem | stainless steel |
| o ring | fluoroelastomer | gasket | PTFE |
| spring | stainless steel / nickel alloy | | |

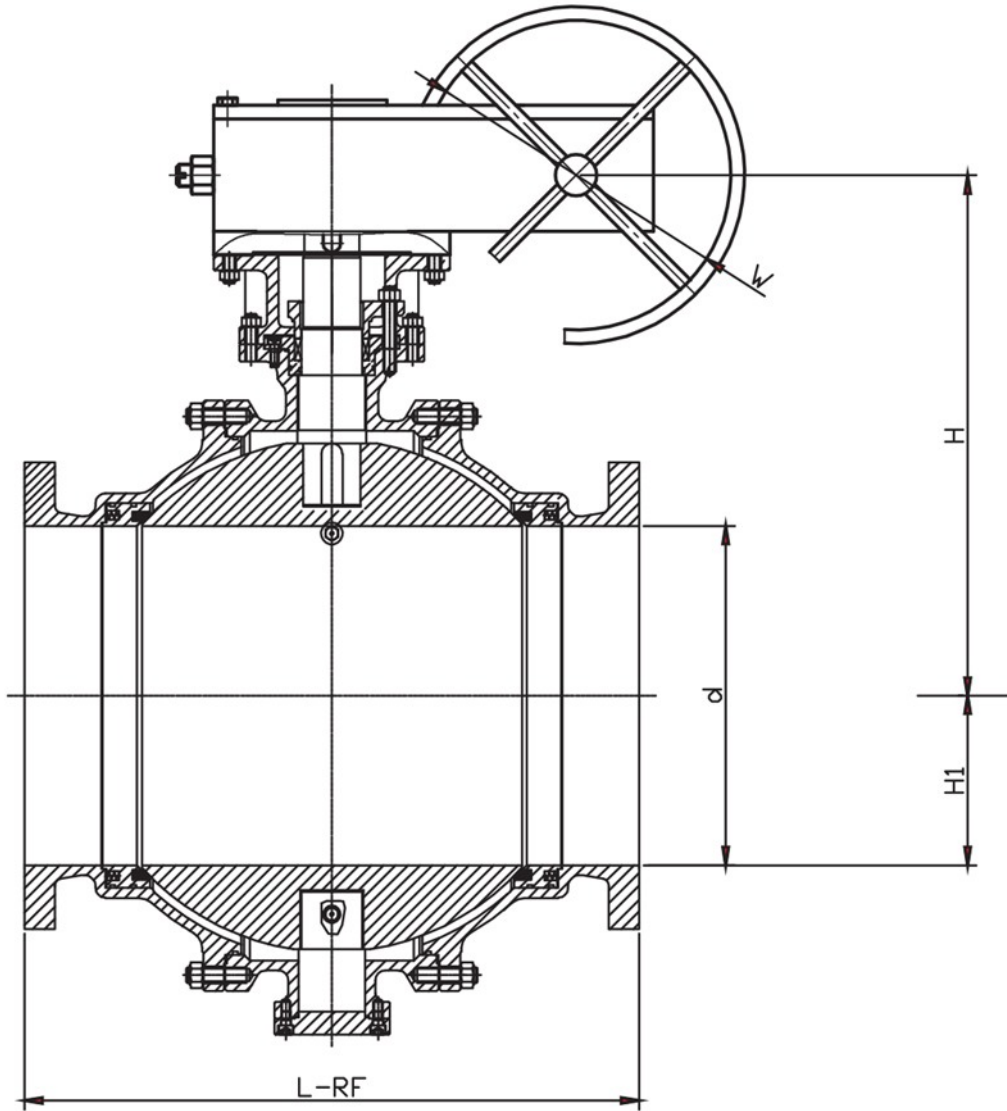
FEATURES

- Bolted cover construction
- Two-piece or three-piece body
- Anti-blowout stem
- Fire-safe design
- Anti-static design
- Trunnion-mounted ball
- Reinforced PTFE seats
- Available in multiple body material configurations including WCB/13Cr, WCB/304, WCB/316, CF8/304, CF8M/316

API VALVE

API Trunnion Ball Valve

SECTION Technical drawing REF EFC-218



API VALVE

API Trunnion Ball Valve

SECTION Dimensions per size REF EFC-218

| SIZE | L_RF | L_BW | D | H | H1 | W | WEIGHT |
|-------|------|------|-----|------|-----|-----|---------|
| DN100 | 229 | 305 | 100 | 250 | 135 | 300 | 60 kg |
| DN125 | 356 | 381 | 127 | 260 | 165 | 300 | 80 kg |
| DN150 | 394 | 457 | 150 | 285 | 193 | 400 | 101 kg |
| DN200 | 457 | 521 | 201 | 325 | 240 | 400 | 166 kg |
| DN250 | 533 | 559 | 252 | 370 | 293 | 500 | 283 kg |
| DN300 | 610 | 635 | 303 | 415 | 340 | 500 | 463 kg |
| DN350 | 686 | 762 | 334 | 455 | 372 | 600 | 622 kg |
| DN400 | 762 | 838 | 385 | 500 | 415 | 600 | 900 kg |
| DN450 | 864 | 914 | 436 | 540 | 462 | 600 | 1150 kg |
| DN500 | 914 | 991 | 487 | 590 | 511 | 600 | 1360 kg |
| DN600 | 1067 | 1143 | 589 | 680 | 601 | 600 | 2514 kg |
| DN650 | 1143 | 1245 | 633 | 800 | 700 | 600 | 3200 kg |
| DN700 | 1245 | 1346 | 684 | 960 | 780 | 700 | 4000 kg |
| DN750 | 1295 | 1397 | 735 | 1200 | 830 | 700 | 4800 kg |
| DN800 | 1372 | 1524 | 779 | 1380 | 870 | 700 | 5800 kg |
| DN900 | 1524 | 1727 | 874 | 1650 | 970 | 700 | 8000 kg |

All dimensions in millimetres unless stated otherwise. Values are nominal; tolerances confirmed at quote.