

API VALVE

API Floating Ball Valve

MODEL VFTBV-C150 REF EFC-217 ISSUED 05 Jun 2026

SPECIFICATIONS

Size	DN15–DN250
Pressure	Class 150–Class 1500
End connection	flanged (ANSI B16.5) / flanged (JISB2212-2214) / butt-weld (ANSI B16.25)
Face-to-face	ANSI B16.10, API6D, JIS B 2002

ACTUATION

- manual lever
- manual handwheel / gear box
- pneumatic — other actuators available on request
- electric — other actuators available on request
- hydraulic — other actuators available on request

STANDARDS

Design	API 608, API6D, BS5351
Test	API598, API6D, JIS B2003



MATERIALS

body	carbon steel, stainless steel	ball	13Cr stainless steel, stainless steel
stem	13Cr stainless steel, stainless steel	seat	PTFE
packing	PTFE	gasket	PTFE

FEATURES

- Elastic sealing ring design provides seat seal load proportional to medium pressure
- Fire-safe secondary metal seal prevents internal and external leakage in the event of non-metallic seat seal damage by fire; meets API607 requirement
- Anti-blowout stem assembled from underneath with backseat; sealing force increases with medium pressure
- Lockable lever to prevent wrong operation in fully open or closed position
- Anti-static device available to derive electric charge accumulated on the ball via static channel between ball and stem, or stem and body
- Two-piece bolted bonnet body construction
- Full or reduced bore options available
- Stainless steel ball as standard

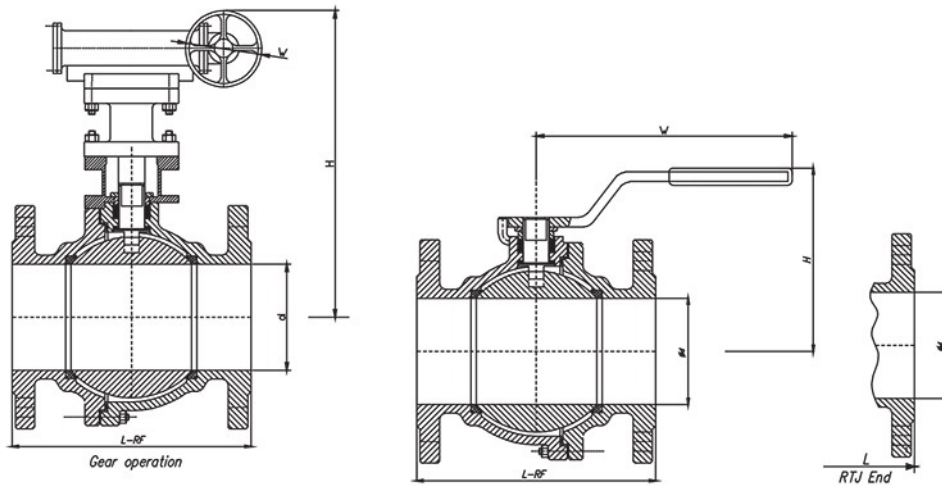
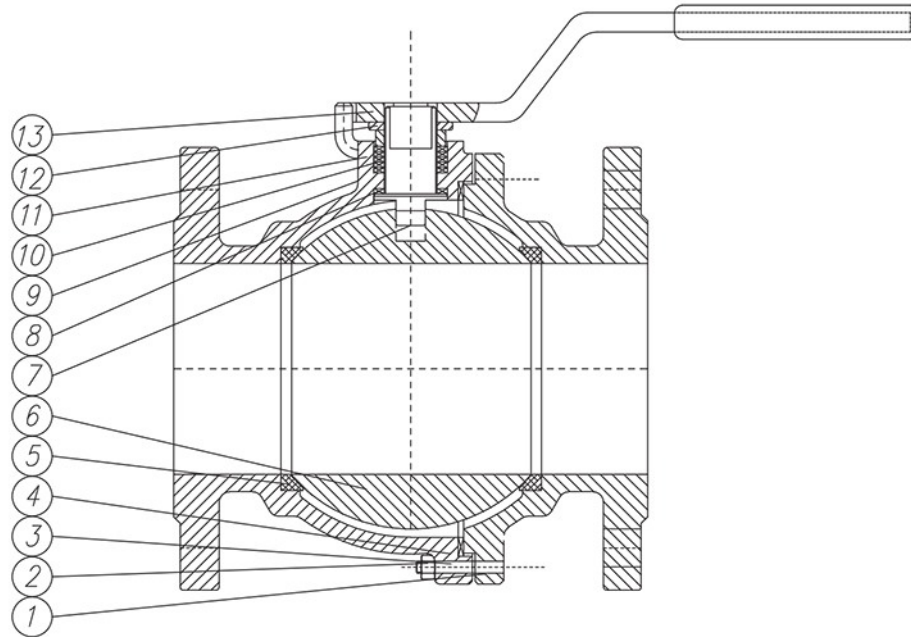
OPTIONS & NOTES

- Noted: the chart above only lists out some common composition of steel ball valve parts, we may provide other different parts material composition according to the customer's request or the actual valve working condition.
- Noted: We may provide other different actuators according to the customer's request, such as pneumatic, electric, hydraulic actuators, the details of them according to the actual valve working condition.

API VALVE

API Floating Ball Valve

SECTION Technical drawing REF EFC-217



API VALVE

API Floating Ball Valve

SECTION Dimensions per size REF EFC-217

SIZE	D	L_RF	L_RTJ	H_HAND- WHEEL	W_HAND- WHEEL	H_GEARBOX	W_GEARBOX	W_GEAR- BOX_2	WEIGHT
DN15	13	108	119	140	85	—	—	—	3 kg
DN20	19	117	130	140	90	—	—	—	3.2 kg
DN25	25	127	140	150	99	—	—	—	3.5 kg
DN32	32	140	153	180	105	—	—	—	5 kg
DN40	38	165	178	300	165	—	—	—	6 kg
DN50	49	178	191	350	140	—	—	—	11 kg
DN65	62	190	203	350	180	—	—	—	13.5 kg
DN80	75	203	216	500	235	—	—	—	19 kg
DN100	100	229	242	500	250	305	380	—	29 kg
DN125	127	356	369	800	280	305	405	—	49 kg
DN150	150	394	407	800	310	305	460	—	65 kg
DN200	201	457	470	1000	350	305	550	—	115 kg
DN250	252	533	546	—	—	—	400	706	280 kg
DN15	13	140	151	140	85	—	—	—	3 kg
DN20	19	152	165	140	90	—	—	—	5 kg
DN25	25	165	178	150	99	—	—	—	6 kg

API Floating Ball Valve

Dimensions per size (continued) · EFC-217

SIZE	D	L_RF	L_RTJ	H_HAND- WHEEL	W_HAND- WHEEL	H_GEARBOX	W_GEARBOX	W_GEAR- BOX_2	WEIGHT
DN32	32	178	191	180	105	—	—	—	8 kg
DN40	38	190	203	200	126	—	—	—	11 kg
DN50	49	216	232	250	142	—	—	—	16 kg
DN65	62	241	257	300	165	—	—	—	23 kg
DN80	74	283	299	350	178	—	—	—	30 kg
DN100	100	305	321	500	230	305	330	—	47 kg
DN125	127	381	397	800	280	305	380	—	74 kg
DN150	150	403	419	800	310	305	420	—	107 kg
DN200	201	502	518	1000	350	305	480	—	153 kg
DN15	13	165	164	140	79	—	560	—	5 kg
DN20	19	190	190	140	83	—	—	—	7 kg
DN25	25	216	216	200	114	—	—	—	9 kg
DN32	32	229	229	200	120	—	—	—	13 kg
DN40	38	241	241	250	125	—	—	—	17 kg
DN50	49	292	295	300	156	—	—	—	25 kg
DN65	62	330	333	350	172	—	—	—	42 kg
DN80	74	356	359	500	220	305	370	—	56 kg
DN100	100	432	435	650	250	305	400	—	85 kg
DN15	13	216	216	150	98	—	—	—	9 kg

API Floating Ball Valve

Dimensions per size (continued) · EFC-217

SIZE	D	L_RF	L_RTJ	H_HAND- WHEEL	W_HAND- WHEEL	H_GEARBOX	W_GEARBOX	W_GEAR- BOX_2	WEIGHT
DN20	19	229	229	150	105	—	—	—	13 kg
DN25	25	254	254	200	110	—	—	—	16 kg
DN32	32	279	279	250	120	—	—	—	24 kg
DN40	38	305	305	250	125	—	—	—	31 kg
DN50	49	368	371	350	160	—	—	—	45 kg
DN15	13	216	216	182	98	—	—	—	10 kg
DN20	19	229	229	250	125	—	—	—	14 kg
DN25	25	254	254	250	130	—	—	—	17 kg
DN32	32	279	279	300	155	—	—	—	25 kg
DN40	38	305	305	350	180	—	—	—	33 kg
DN50	49	368	371	450	225	—	—	—	48 kg

All dimensions in millimetres unless stated otherwise. Values are nominal; tolerances confirmed at quote.