

API VALVE

API Gate Valves

MODEL **VYM-C1500** REF **EFC-215** ISSUED **05 Jun 2026**

SPECIFICATIONS

Size	NPS 2–NPS 16
Pressure	Class 1500–Class 2500
End connection	flanged (RF (Raised Face)) / flanged (RTJ (Ring Type Joint)) / butt-weld (BW BB (Butt Weld Bolted Bonnet)) / butt-weld (BW PSB (Butt Weld Pressure Seal Bonnet))

ACTUATION

- handwheel — Standard manual handwheel
- pneumatic — Available on request, details subject to actual valve working condition
- electric — Available on request, details subject to actual valve working condition
- hydraulic — Available on request, details subject to actual valve working condition

STANDARDS

Design	API
--------	------------

FEATURES

- Available in Class 1500 and Class 2500 pressure ratings
- Multiple end connection options: Raised Face (RF), Ring Type Joint (RTJ), Butt Weld Bolted Bonnet (BW BB), and Butt Weld Pressure Seal Bonnet (BW PSB)
- Size range NPS 2 to NPS 16 for Class 1500; NPS 2 to NPS 12 for Class 2500
- Compatible with multiple actuator types including pneumatic, electric, and hydraulic



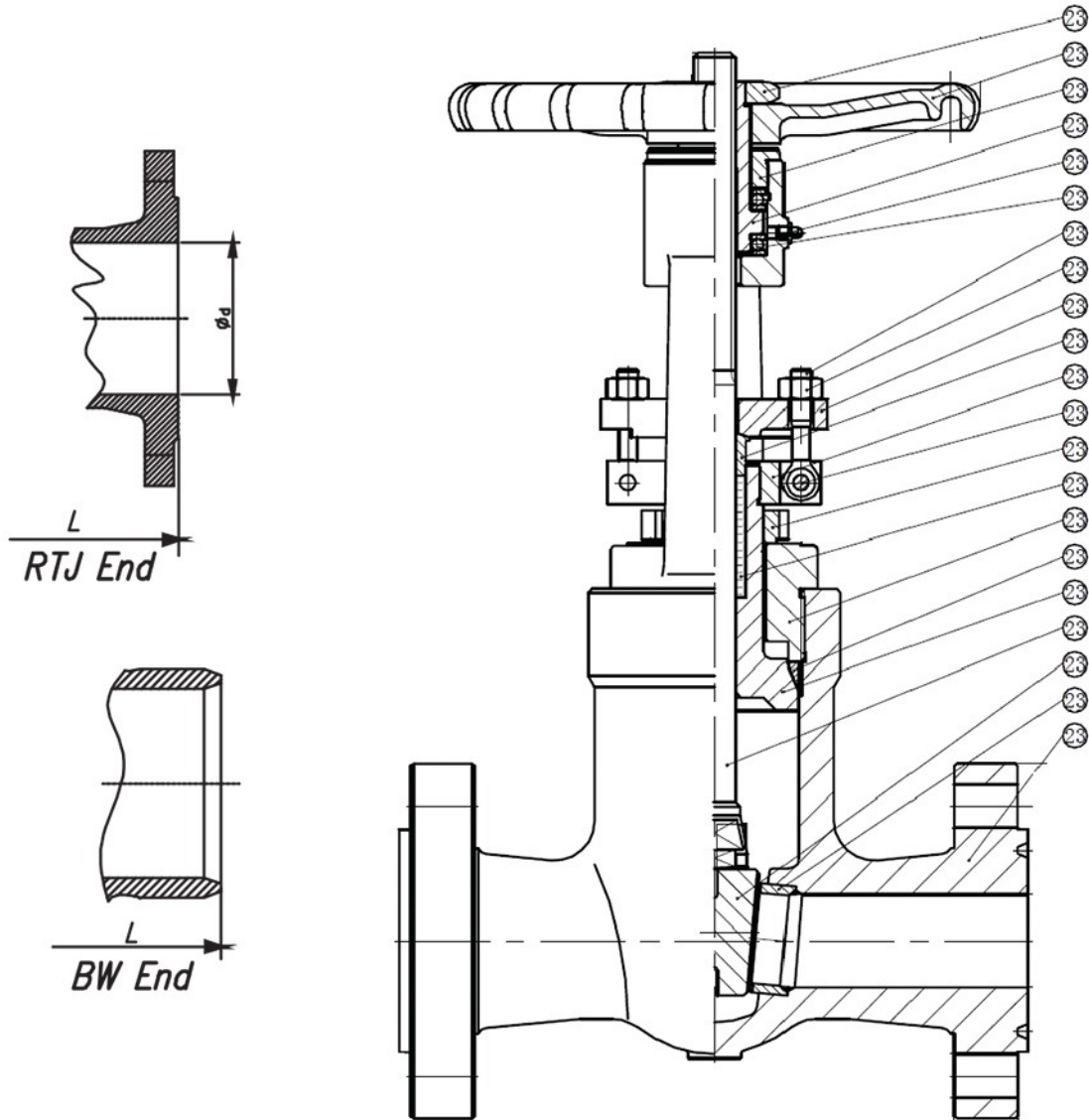
OPTIONS & NOTES

- We may provide other different actuators according to the customer's request, such as pneumatic, electric, hydraulic actuators, the details of them according to the actual valve working condition.

API VALVE

API Gate Valves

SECTION Technical drawing REF EFC-215



API VALVE

API Gate Valves

SECTION Dimensions per size REF EFC-215

SIZE	L_RF	L_RTJ	L_BW_BB	L_BW_PSB	D	H	W	H1	W1	WEIGHT
NPS 2 / DN50	368	371	368	216	47	430	280	—	—	70 kg
NPS 2 1/2 / DN65	419	422	419	254	57	490	300	—	—	110 kg
NPS 3 / DN80	470	473	470	305	69	540	350	680	310	175 kg
NPS 4 / DN100	546	549	546	406	92	650	400	810	310	270 kg
NPS 5 / DN125	673	676	673	483	125	780	450	920	310	378 kg
NPS 6 / DN150	705	711	705	559	136	835	500	1035	460	520 kg
NPS 8 / DN200	832	841	832	711	177	925	750	1180	530	820 kg
NPS 10 / DN250	991	1000	991	864	222	1230	900	1525	600	1560 kg
NPS 12 / DN300	1130	1146	1130	991	263	—	—	1620	600	2120 kg
NPS 14 / DN350	1257	1276	1257	1067	288	—	—	1905	600	3306 kg
NPS 16 / DN400	1384	1407	1384	1194	330	—	—	2050	600	3450 kg
NPS 2 / DN50 (Class 2500)	451	454	451	279	38	490	280	580	310	100 kg
NPS 2 1/2 / DN65 (Class 2500)	508	514	508	330	47	580	300	630	310	150 kg
NPS 3 / DN80 (Class 2500)	578	584	578	368	57	630	350	765	310	245 kg
NPS 4 / DN100 (Class 2500)	673	683	673	457	72	725	400	850	310	390 kg

NPS 5 / DN125 (Class 2500)	794	807	794	533	96	900	500	960	460	550 kg
-----------------------------------	-----	-----	-----	-----	----	-----	-----	-----	-----	--------

API Gate Valves

Dimensions per size (continued) · EFC-215

SIZE	L_RF	L_RTJ	L_BW_BB	L_BW_PSB	D	H	W	H1	W1	WEIGHT
NPS 6 / DN150 (Class 2500)	914	927	914	610	111	1040	600	1100	530	780 kg
NPS 8 / DN200 (Class 2500)	1022	1038	1022	762	146	1150	750	1150	460	1260 kg
NPS 10 / DN250 (Class 2500)	1270	1292	1270	914	184	1400	900	1460	600	2380 kg
NPS 12 / DN300 (Class 2500)	1422	1445	1422	1041	218	—	—	1660	600	3250 kg

All dimensions in millimetres unless stated otherwise. Values are nominal; tolerances confirmed at quote.