

API VALVE

API Gate Valves

MODEL **VYM-C600** REF **EFC-214** ISSUED **05 Jun 2026**

SPECIFICATIONS

Size	NPS 2–NPS 24
Pressure	Class 600–Class 900
End connection	flanged (RF (Raised Face)) / flanged (RTJ (Ring Type Joint)) / butt-weld

ACTUATION

- handwheel — Manual handwheel operation
- gear operator — Gear operation (G.O)
- pneumatic — Available on request per customer requirement
- electric — Available on request per customer requirement
- hydraulic — Available on request per customer requirement

STANDARDS

Design	API
--------	------------

FEATURES

- Rising stem design
- Gear operation available for larger sizes
- Three end connection options: RF, RTJ, and BW
- Slab or wedge gate configuration (NPS 6 and larger, NPS 8 and larger variants shown in drawings)
- Available with handwheel or gear operator

OPTIONS & NOTES

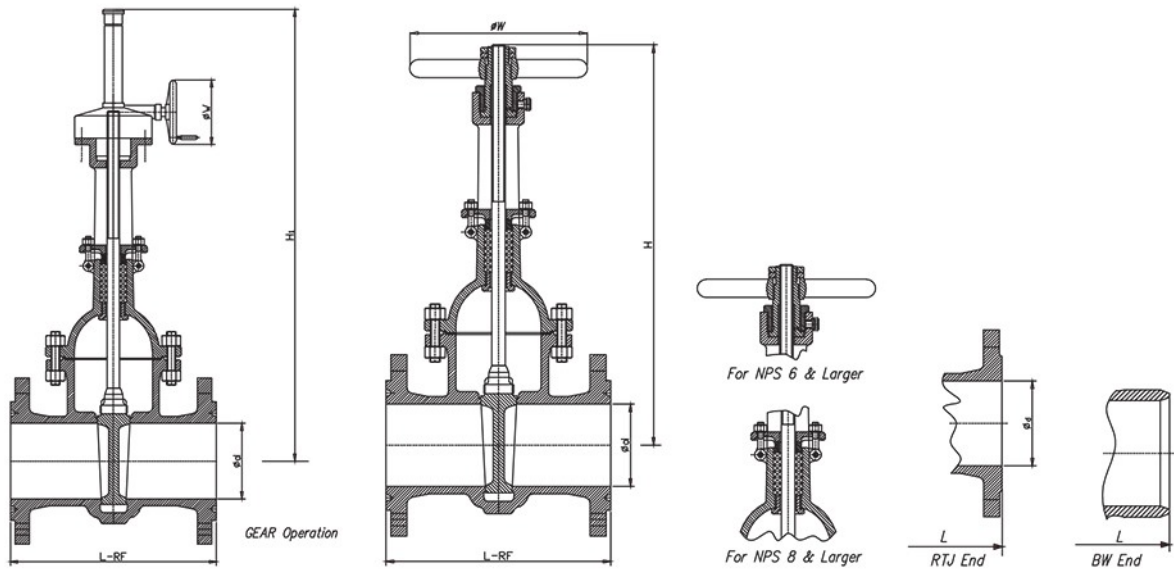
- We may provide other different actuators according to the customer's request, such as pneumatic, electric, hydraulic actuators, the details of them according to the actual valve working condition.



API VALVE

API Gate Valves

SECTION Technical drawing REF EFC-214



API VALVE

API Gate Valves

SECTION Dimensions per size REF EFC-214

SIZE	L_RF	L_RTJ	L_BW	D	H	W	H1	W1	WEIGHT
NPS 2 / DN50	292	295	292	50	380	200	—	—	H.W 37 kg
NPS 2 1/2 / DN65	330	333	330	63	420	250	—	—	H.W 50 kg
NPS 3 / DN80	356	359	356	76	500	280	585	310	H.W 82 kg / G.O 87 kg
NPS 4 / DN100	432	435	432	100	575	300	695	310	H.W 134 kg / G.O 142 kg
NPS 5 / DN125	508	511	508	127	700	350	790	310	H.W 175 kg / G.O 227 kg
NPS 6 / DN150	559	562	559	150	750	450	900	460	H.W 245 kg / G.O 286 kg
NPS 8 / DN200	660	664	660	199	850	500	1110	460	H.W 423 kg / G.O 472 kg
NPS 10 / DN250	787	791	787	247	1005	650	1300	460	H.W 682 kg / G.O 657 kg
NPS 12 / DN300	838	841	838	298	1130	700	1650	460	H.W 932 kg / G.O 893 kg
NPS 14 / DN350	889	892	889	326	1270	900	1750	530	H.W 1177 kg / G.O 1318 kg
NPS 16 / DN400	991	994	991	374	1365	900	1900	530	H.W 1513 kg / G.O 1720 kg
NPS 18 / DN450	1092	1095	1092	419	2020	600	—	—	G.O 1980 kg
NPS 20 / DN500	1194	1200	1194	463	2172	600	—	—	G.O 2460 kg
NPS 24 / DN600	1397	1407	1397	558	2650	600	—	—	G.O 3650 kg
NPS 2 / DN50	368	371	368	47	500	280	—	—	H.W 70 kg
NPS 2 1/2 / DN65	419	422	419	57	450	280	—	—	H.W 110 kg
NPS 3 / DN80	381	384	381	72	505	300	—	310	H.W 140 kg / G.O 167 kg

API Gate Valves

Dimensions per size (continued) · EFC-214

SIZE	L_RF	L_RTJ	L_BW	D	H	W	H1	W1	WEIGHT
NPS 4 / DN100	457	460	457	98	575	350	625	310	H.W 178 kg / G.O 227 kg
NPS 5 / DN125	559	562	559	125	630	400	740	310	H.W 258 kg / G.O 285 kg
NPS 6 / DN150	610	613	610	146	795	500	900	460	H.W 358 kg / G.O 396 kg
NPS 8 / DN200	737	740	737	190	885	650	1000	460	H.W 550 kg / G.O 627 kg
NPS 10 / DN250	838	841	838	238	1035	700	1130	530	H.W 1000 kg / G.O 1100 kg
NPS 12 / DN300	965	968	965	282	1180	900	1520	530	H.W 1215 kg / G.O 1310 kg
NPS 14 / DN350	1029	1038	1029	311	1350	900	1600	530	H.W 1600 kg / G.O 1665 kg
NPS 16 / DN400	1130	1140	1130	355	1890	900	2100	600	H.W 2150 kg / G.O 2330 kg
NPS 18 / DN450	1219	—	—	400	2232	800	—	—	G.O 3000 kg
NPS 20 / DN500	1321	—	—	444	2435	800	—	—	G.O 3800 kg

All dimensions in millimetres unless stated otherwise. Values are nominal; tolerances confirmed at quote.