

BRONZE MARINE VALVE

# U-Type Double Flanged Butterfly Valve (Marine)

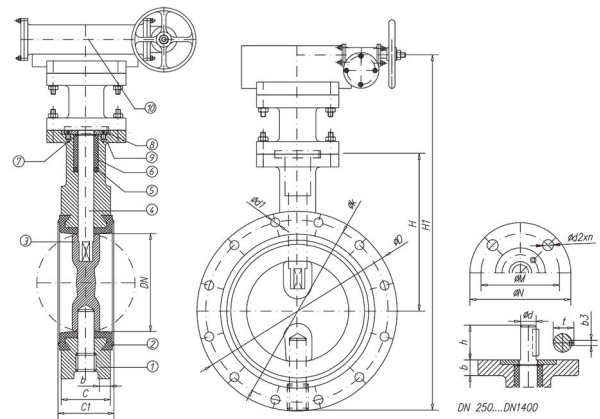
MODEL VWKF-C150 REF EFC-211 ISSUED 05 Jun 2026

## SPECIFICATIONS

Size	DN40–DN1400
Pressure	PN10–Class 150
End connection	flanged (DIN EN 1092) / flanged (BS 4504) / flanged (BS 4504)
Face-to-face	DIN 3337/K1, DIN EN 558-1-20

## ACTUATION

- gearbox — GGG-40 gearbox (Di\_li Kutusu) — ISO 5211/1



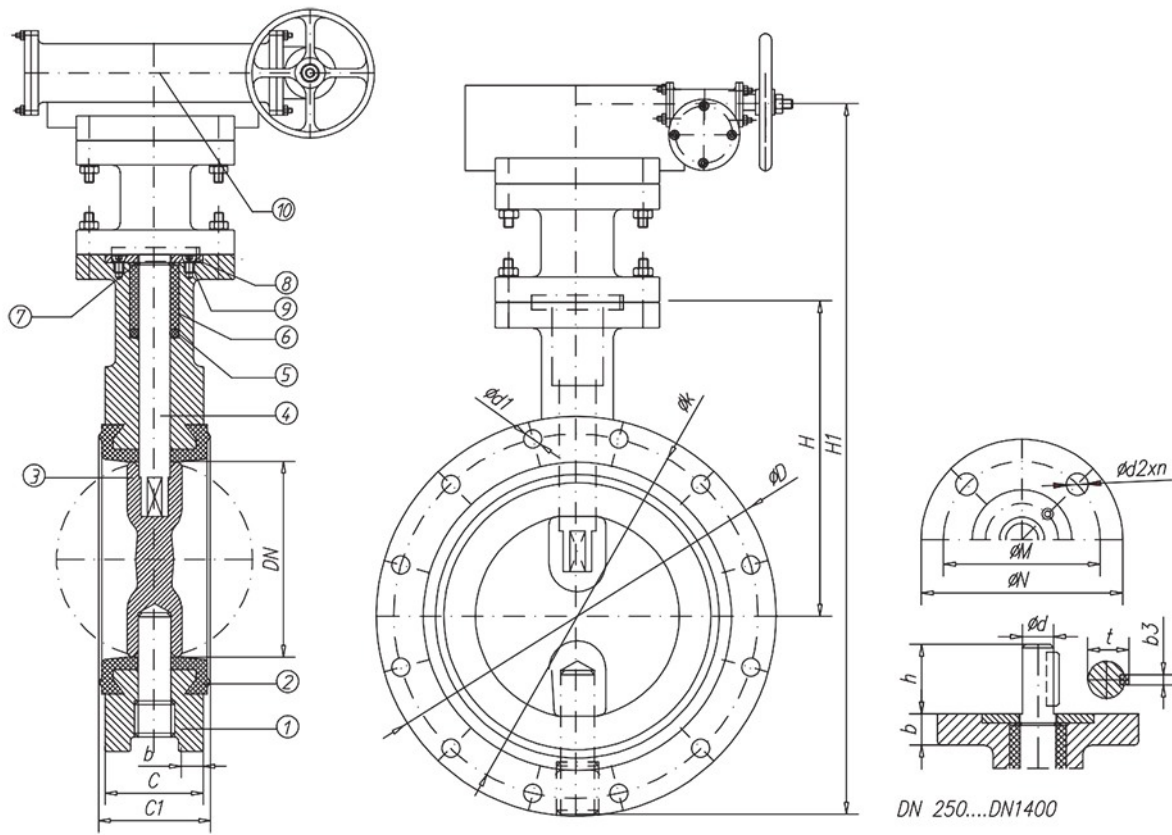
## MATERIALS

body	grey cast iron, ductile cast iron, cast steel	gasket	elastomer
disc	ductile cast iron, stainless steel, bronze	stem	stainless steel
o ring	elastomer	bushing	PTFE, bronze

BRONZE MARINE VALVE

# U-Type Double Flanged Butterfly Valve (Marine)

SECTION Technical drawing REF EFC-211



BRONZE MARINE VALVE

## U-Type Double Flanged Butterfly Valve (Marine)

SECTION Dimensions per size REF EFC-211

SIZE	C	C1	H	H1	B	WEIGHT
DN40	33	37	130	260	10	4 kg
DN50	43	47	140	295	10	5 kg
DN65	46	50	152	310	11	7 kg
DN80	46	50	159	320	11	9 kg
DN100	52	56	177	360	12	12 kg
DN125	56	60	190	400	13	14 kg
DN150	60	64	203	430	13	19 kg
DN200	68	71	241	550	15	22 kg
DN250	78	84	250	600	15	32 kg
DN300	102	108	282	620	20	42 kg
DN350	114	120	320	700	20	55 kg
DN400	127	133	360	825	20	110 kg
DN450	154	160	408	900	25	145 kg
DN500	165	171	432	1000	25	184 kg
DN600	190	196	520	1100	25	262 kg
DN700	203	208	550	1150	30	350 kg
DN800	216	224	585	1250	32	450 kg

## U-Type Double Flanged Butterfly Valve (Marine)

Dimensions per size (continued) · EFC-211

SIZE	C	C1	H	H1	B	WEIGHT
<b>DN900</b>	254	262	630	1350	32	582 kg
<b>DN1000</b>	254	262	770	1400	34	710 kg
<b>DN1100</b>	280	288	840	1500	36	1150 kg
<b>DN1200</b>	280	288	900	1700	40	1300 kg
<b>DN1300</b>	280	288	970	1800	40	1550 kg
<b>DN1400</b>	280	288	1025	1900	44	1810 kg

*All dimensions in millimetres unless stated otherwise. Values are nominal; tolerances confirmed at quote.*