

BRONZE MARINE VALVE

Wafer Tilting Disc Check Valve (Marine)

MODEL **VWTD-10-16-25** REF **EFC-210** ISSUED **05 Jun 2026**

SPECIFICATIONS

| | |
|----------------|----------------------------|
| Size | DN40–DN1000 |
| Pressure | PN10–PN25 |
| End connection | wafer (DIN EN 1092) |
| Face-to-face | DIN EN 558-1-16 |
| Temperature | -10°C to 120°C |

STANDARDS

| | |
|------|------------------------------|
| Test | API 598, DIN EN 12266 |
|------|------------------------------|



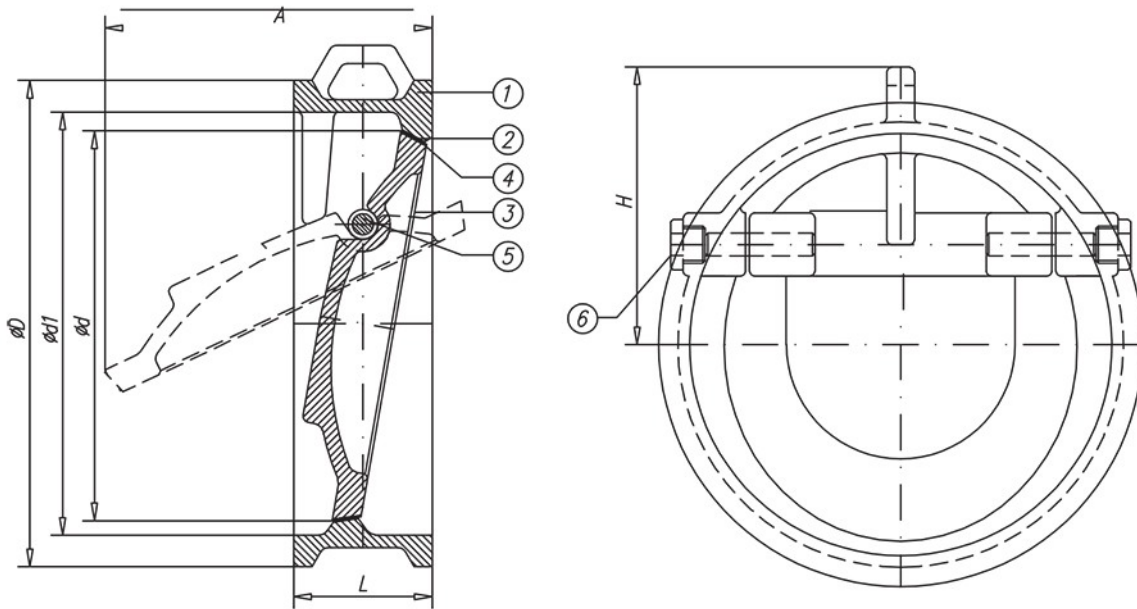
MATERIALS

| | | | |
|------|--|------|-------------------------------------|
| body | grey cast iron, cast steel, stainless steel, bronze | seat | chromium steel, cobalt alloy |
| disc | stainless steel, bronze, cast steel | stem | stainless steel |

BRONZE MARINE VALVE

Wafer Tilting Disc Check Valve (Marine)

SECTION Technical drawing REF EFC-210



BRONZE MARINE VALVE

Wafer Tilting Disc Check Valve (Marine)

SECTION Dimensions per size REF EFC-210

| SIZE | ØD | ØD1 | ØA | L | H | WEIGHT |
|-------|-----|-----|-----|-----|-----|---------|
| DN40 | 34 | 40 | 45 | 33 | — | 0.8 kg |
| DN50 | 44 | 50 | 54 | 43 | — | 1 kg |
| DN65 | 58 | 65 | 64 | 46 | — | 2 kg |
| DN80 | 72 | 80 | 85 | 64 | — | 3 kg |
| DN100 | 90 | 100 | 95 | 64 | — | 4.5 kg |
| DN125 | 112 | 125 | 115 | 70 | — | 6.5 kg |
| DN150 | 135 | 150 | 135 | 76 | — | 7.5 kg |
| DN200 | 180 | 200 | 220 | 89 | 155 | 15 kg |
| DN250 | 225 | 250 | 220 | 114 | 182 | 26.5 kg |
| DN300 | 270 | 300 | 250 | 114 | 210 | 33.5 kg |
| DN350 | 315 | 350 | 295 | 127 | 240 | 54 kg |
| DN400 | 365 | 400 | 340 | 140 | 275 | 66 kg |
| DN450 | 410 | 450 | 370 | 152 | 300 | 92 kg |
| DN500 | 460 | 500 | 405 | 152 | 325 | 110 kg |
| DN600 | 555 | 600 | 500 | 178 | 390 | 178 kg |

Wafer Tilting Disc Check Valve (Marine)

Dimensions per size (continued) · EFC-210

| SIZE | ØD | ØD1 | ØA | L | H | WEIGHT |
|---------------|-----|------|-----|-----|-----|--------|
| DN700 | 650 | 700 | 616 | 229 | 460 | 245 kg |
| DN800 | 745 | 800 | 670 | 241 | 515 | 385 kg |
| DN900 | 835 | 900 | 750 | 241 | 562 | 445 kg |
| DN1000 | 930 | 1000 | 760 | 300 | 625 | 780 kg |

All dimensions in millimetres unless stated otherwise. Values are nominal; tolerances confirmed at quote.