

BRONZE MARINE VALVE

# Tilting Type Check Valve (Marine)

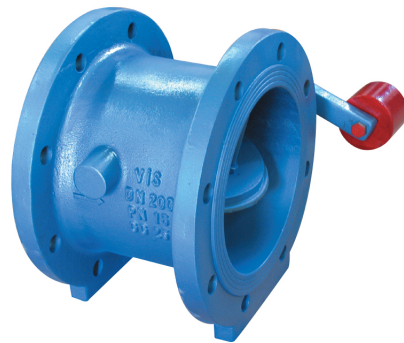
MODEL VTCV-16 REF EFC-209 ISSUED 05 Jun 2026

## SPECIFICATIONS

Size	DN100–DN1400
Pressure	PN10–PN40
End connection	flanged (DIN EN 1092)
Face-to-face	DIN EN 558-14, BS 5155
Temperature	-10°C to 120°C

## STANDARDS

Design	DIN EN 558-1-16
Test	DIN EN 12266, API 598



**MATERIALS**

---

body	<b>ductile iron, cast steel, stainless steel</b>	disc	<b>ductile iron, cast steel, stainless steel</b>
stem	<b>stainless steel</b>	bushing	<b>acetal polymer, fluoropolymer</b>
o ring	<b>elastomer, nitrile rubber</b>		

---

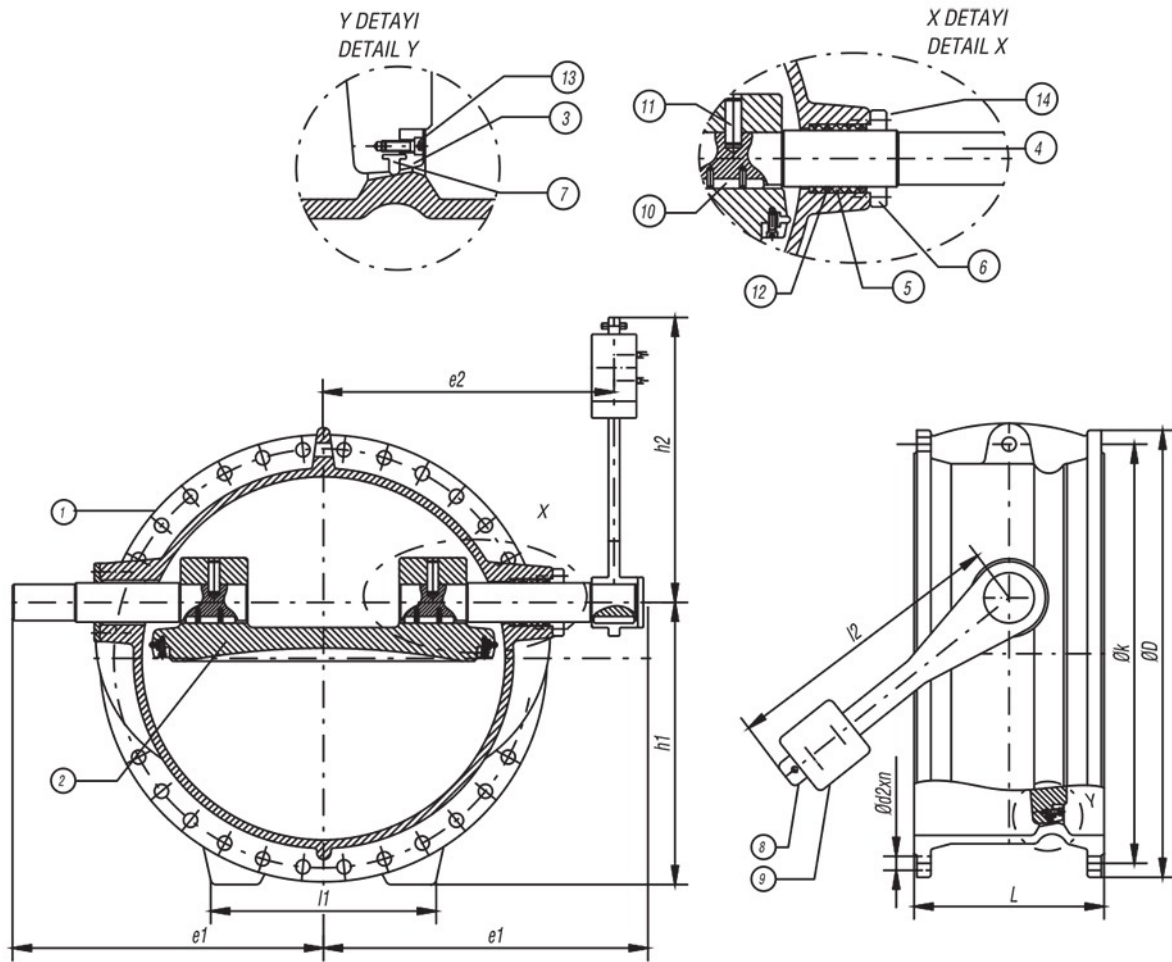
**FEATURES**

- 
- Tilting disc design for check function
  - External lever and counterweight mechanism
  - Flanged end connections per DIN EN 1092
  - Available in ductile iron, cast steel, and stainless steel body materials
  - Bearing bush in Delrin or PTFE
  - EPDM / BUNA-N O-ring sealing
  - Size range DN100 to DN1400
  - Pressure ratings PN10, PN16, PN25, PN40

BRONZE MARINE VALVE

# Tilting Type Check Valve (Marine)

SECTION Technical drawing REF EFC-209



BRONZE MARINE VALVE

# Tilting Type Check Valve (Marine)

SECTION Dimensions per size REF EFC-209

SIZE	L_DIN3202F4	L_BS5155	E1	E2	H1	I1	I2	H2	WEIGHT
DN100	190	127	192	160	135	200	220	—	20 kg
DN125	200	140	215	183	156	—	250	—	28 kg
DN150	210	140	238	206	180	—	285	—	36 kg
DN200	230	152	263	231	220	—	340	189	50 kg
DN250	250	165	313	276	265	—	260	280	70 kg
DN300	270	178	326	289	305	300	335	372	110 kg
DN350	290	190	388	346	357	400	345	405	145 kg
DN400	310	216	418	376	395	400	375	460	180 kg
DN450	330	222	470	420	440	450	450	460	240 kg
DN500	350	229	495	453	490	500	470	500	280 kg
DN600	390	267	592	540	580	600	545	555	410 kg
DN700	430	292	688	623	635	700	590	642	540 kg
DN800	470	318	725	656	713	800	660	735	680 kg

## Tilting Type Check Valve (Marine)

Dimensions per size (continued) · EFC-209

SIZE	L_DIN3202F4	L_BS5155	E1	E2	H1	I1	I2	H2	WEIGHT
<b>DN900</b>	510	330	832	740	795	900	720	830	1050 kg
<b>DN1000</b>	550	410	1000	764	890	1000	770	920	1250 kg
<b>DN1200</b>	630	470	1246	900	1042	1200	965	1087	2100 kg
<b>DN1400</b>	710	—	1246	1100	1200	1400	965	1280	3400 kg

*All dimensions in millimetres unless stated otherwise. Values are nominal; tolerances confirmed at quote.*