

BRONZE MARINE VALVE

# Wafer Check Valve (Marine)

MODEL **VWCV-10-16-25-40** REF **EFC-208** ISSUED **05 Jun 2026**

## SPECIFICATIONS

Size	<b>DN40–DN800</b>
Pressure	<b>PN10–PN25</b>
End connection	<b>wafer (DIN 2501)</b>



## MATERIALS

---

body

**grey cast iron, ductile iron, carbon steel,  
stainless steel, bronze**

disc

**stainless steel, bronze**

---

## FEATURES

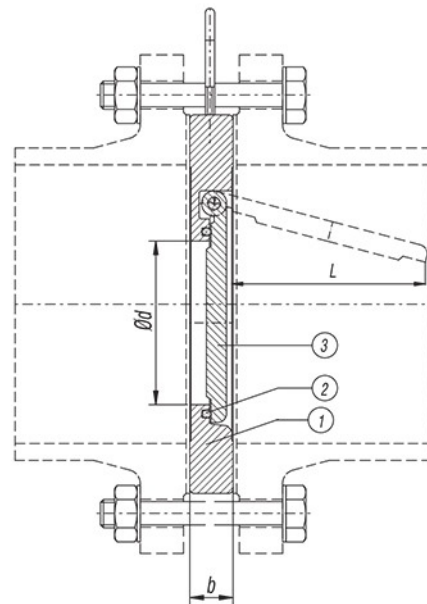
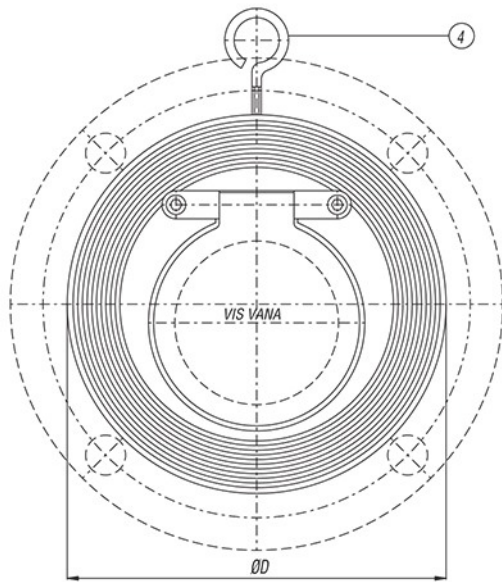
---

- Wafer (sandwich) type design for installation between flanges
- Single disc configuration
- Ring bolt (item 4) for handling/retention
- Available in multiple body and disc material combinations including bronze for marine service
- PN10, PN16, and PN25 pressure ratings available depending on size

BRONZE MARINE VALVE

# Wafer Check Valve (Marine)

SECTION Technical drawing REF EFC-208



BRONZE MARINE VALVE

# Wafer Check Valve (Marine)

SECTION Dimensions per size REF EFC-208

SIZE	ÖD	L	B	WEIGHT
DN40	20	30.5	null	0.8 kg
DN50	32	41.5	16	1 kg
DN65	38	51.5	null	1.3 kg
DN80	52	62	null	1.5 kg
DN100	70	92	18	2.2 kg
DN125	87	104	null	3.6 kg
DN150	110	129	22	5.3 kg
DN200	154	172	null	11 kg
DN250	190	212	32	16 kg
DN300	236	263	null	28 kg
DN350	265	258	38	37 kg
DN400	290	300	null	55 kg
DN450	330	330	44	66 kg
DN500	368	368	58	107 kg
DN600	435	435	68	158 kg
DN700	550	540	76	235 kg
DN800	650	640	89	364 kg

All dimensions in millimetres unless stated otherwise. Values are nominal; tolerances confirmed at quote.