

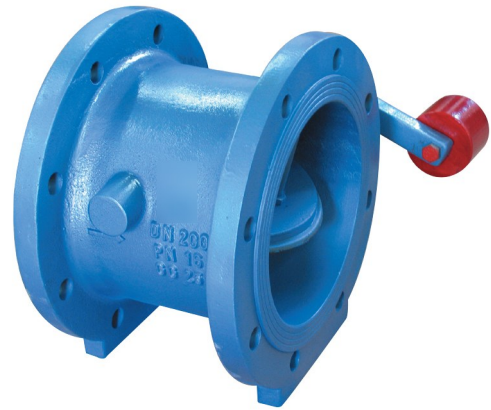
BRONZE MARINE VALVE

Ball Check Valve (Marine)

MODEL VTCV-10 REF EFC-207 ISSUED 05 Jun 2026

SPECIFICATIONS

Size	DN40–DN300
Pressure	PN10–PN16
End connection	flanged (DIN 2501)
Face-to-face	DIN 3202-F6
Temperature	-10°C to 120°C



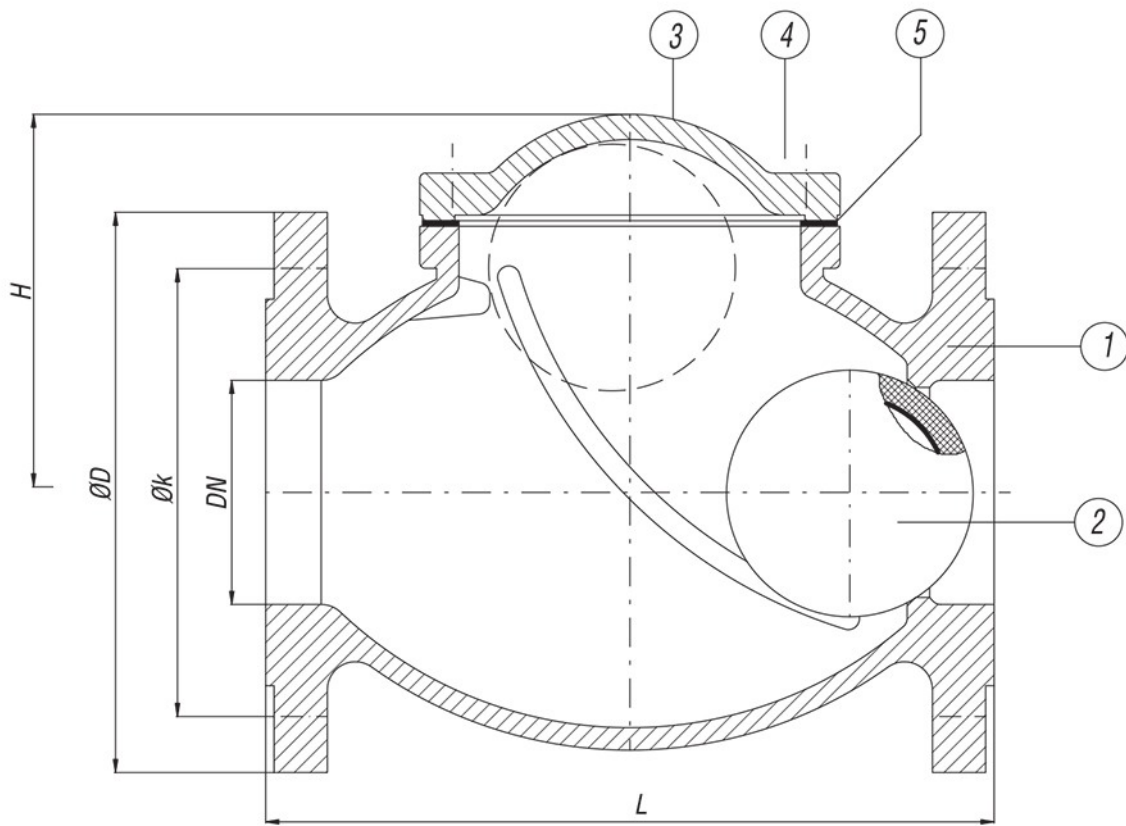
MATERIALS

body	grey cast iron, ductile cast iron	ball	NBR-coated grey cast iron, carbon steel
bonnet	grey cast iron, ductile cast iron	gasket	nitrile rubber

BRONZE MARINE VALVE

Ball Check Valve (Marine)

SECTION Technical drawing REF EFC-207



BRONZE MARINE VALVE

Ball Check Valve (Marine)

SECTION Dimensions per size REF EFC-207

SIZE	L	H	D	K	WEIGHT
DN40	180	100	150	110	8 kg
DN50	200	110	165	125	9 kg
DN65	240	130	185	145	12 kg
DN80	260	145	200	160	14 kg
DN100	300	170	220	180	22 kg
DN125	350	195	250	210	30 kg
DN150	400	205	285	240	49 kg
DN200	500	260	340	295	98 kg
DN250	600	390	395	350	125 kg
DN300	700	500	445	400	240 kg

All dimensions in millimetres unless stated otherwise. Values are nominal; tolerances confirmed at quote.