

BRONZE MARINE VALVE

Ball Valve

REF **EFC-206** ISSUED 05 Jun 2026

SPECIFICATIONS

Size	DN15–DN250
Pressure	PN6–PN16
End connection	flanged (EN 1092) / flanged (EN 1092) / flanged (EN 1092)
Face-to-face	DIN 3202-F4, DIN 3202-F5
Media	marine applications

ACTUATION

- manual lever — SS 201 + PVC lever with lock — ISO 5211



MATERIALS

body	Bronze	bonnet	Bronze
gasket	PTFE	seat	PTFE
ball	Stainless Steel, Bronze	stem	Stainless Steel, Bronze
thrust gasket	PTFE	o ring	FKM
packing	PTFE	gland	Stainless Steel
spring washer	Stainless Steel	screw nut	Stainless Steel
lever	Stainless Steel / PVC		

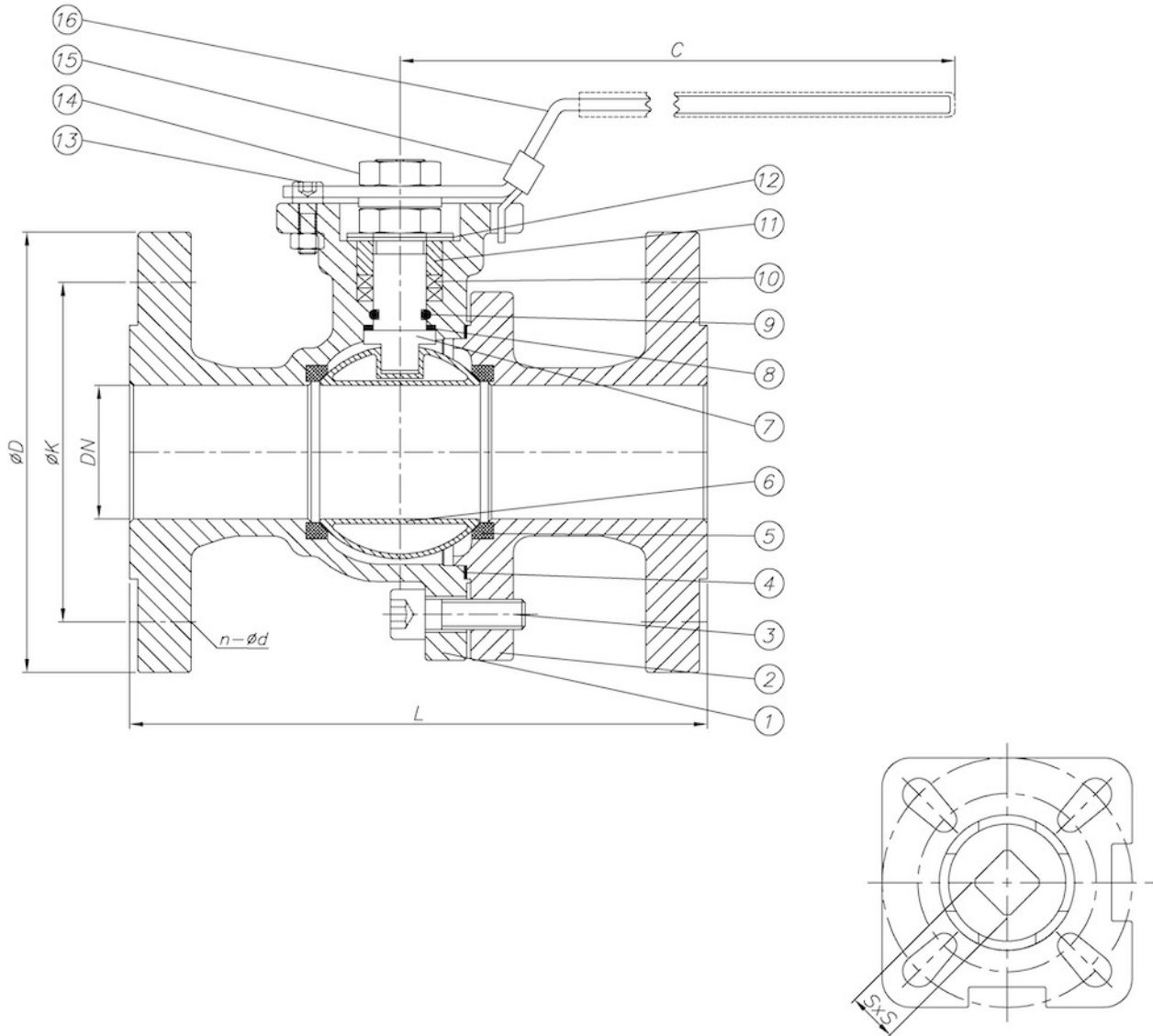
FEATURES

- Full bore design
- Bronze Rg5 / CuSn10 / C95800 body and bonnet
- PTFE seats and packing
- Viton O-ring
- SS 316 or Bronze ball options
- ISO 5211 top flange for actuator mounting
- Lever with integrated lock

BRONZE MARINE VALVE

Ball Valve

SECTION Technical drawing REF EFC-206



BRONZE MARINE VALVE

Ball Valve

SECTION Dimensions per size REF EFC-206

SIZE	L	WEIGHT
DN15	115	2.7 kg
DN20	120	3.4 kg
DN25	125	4.3 kg
DN32	130	6 kg
DN40	140	7 kg
DN50	150	9.2 kg
DN65	170	13 kg
DN80	180	15.9 kg
DN100	190	19 kg
DN125	325	35.9 kg
DN150	350	47 kg
DN200	400	77.6 kg
DN250	450	174.3 kg

All dimensions in millimetres unless stated otherwise. Values are nominal; tolerances confirmed at quote.