

BRONZE MARINE VALVE

U-Type Double Flanged Butterfly Valve (Marine)

MODEL **VWKF-16** REF **EFC-205** ISSUED **05 Jun 2026**

SPECIFICATIONS

| | |
|----------------|--|
| Size | DN40–DN1400 |
| Pressure | PN10/PN16/CLASS 150 |
| End connection | flanged (DIN EN 1092) / flanged (BS 4504) |
| Face-to-face | DIN 3337/K1, DIN EN 558-1-20, ISO 5752/20-5 |

ACTUATION

- gearbox — GGG-40 gearbox (Di_li Kutusu) — ISO 5211/1



MATERIALS

| | | | |
|--------|---|---------|-----------------------------------|
| body | grey cast iron, ductile iron, cast steel | gasket | elastomer, fluoroelastomer |
| disc | ductile iron, stainless steel, bronze | stem | stainless steel |
| o ring | elastomer, fluoroelastomer | bushing | PTFE, bronze |

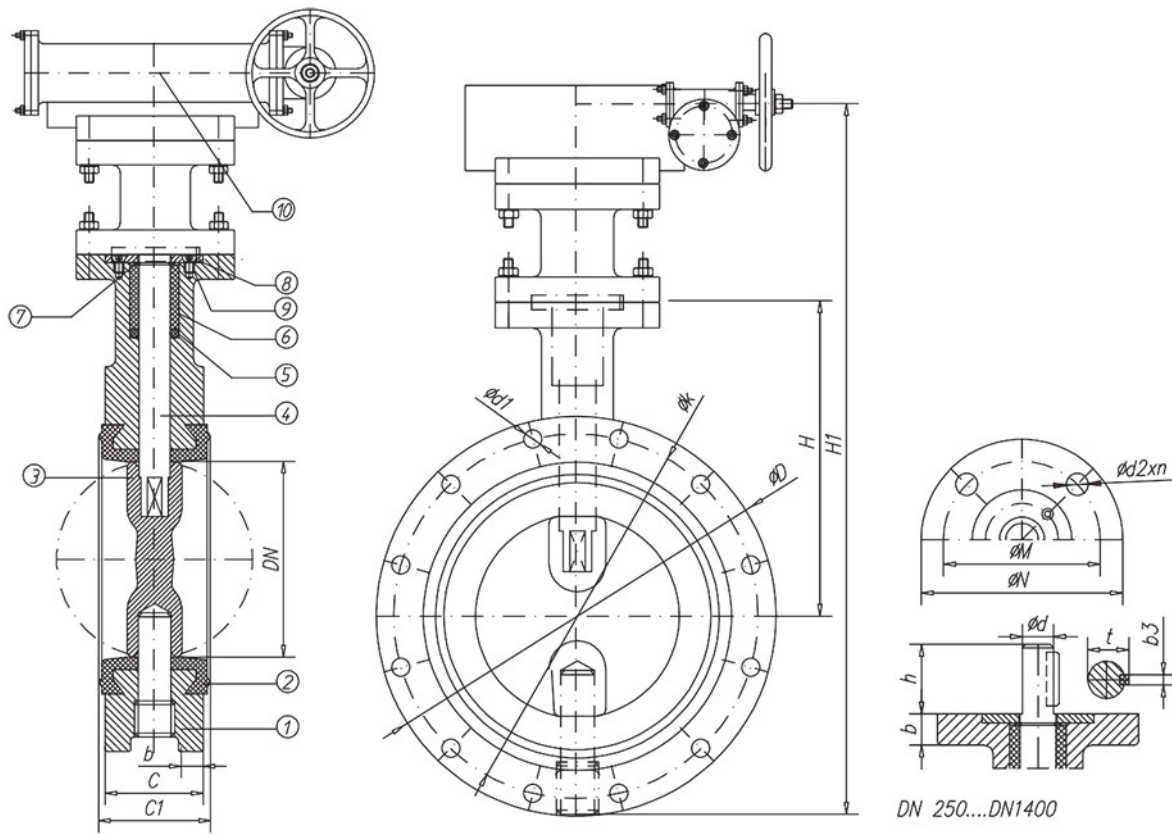
FEATURES

- Double-flanged construction compatible with DIN EN 1092 flanges
- Multiple body material options: grey cast iron, ductile iron, cast steel
- Seat options in EPDM, NBR, or Viton for compatibility with various media
- Stainless steel stem in AISI 420 or AISI 316
- Disc available in ductile iron, stainless steel, or bronze
- ISO 5211/1 top flange for actuator mounting
- Gland bush in PTFE or bronze
- Available in PN10, PN16, and Class 150 pressure ratings
- Size range DN40 to DN1400

BRONZE MARINE VALVE

U-Type Double Flanged Butterfly Valve (Marine)

SECTION Technical drawing REF EFC-205



BRONZE MARINE VALVE

U-Type Double Flanged Butterfly Valve (Marine)

SECTION Dimensions per size REF EFC-205

| SIZE | C | C1 | H | H1 | B | WEIGHT |
|-------|-----|-----|-----|------|----|--------|
| DN40 | 33 | 37 | 130 | 260 | 10 | 4 kg |
| DN50 | 43 | 47 | 140 | 295 | 10 | 5 kg |
| DN65 | 46 | 50 | 152 | 310 | 11 | 7 kg |
| DN80 | 46 | 50 | 159 | 320 | 11 | 9 kg |
| DN100 | 52 | 56 | 177 | 360 | 12 | 12 kg |
| DN125 | 56 | 60 | 190 | 400 | 13 | 14 kg |
| DN150 | 60 | 64 | 203 | 430 | 13 | 19 kg |
| DN200 | 68 | 71 | 241 | 550 | 15 | 22 kg |
| DN250 | 78 | 84 | 250 | 600 | 15 | 32 kg |
| DN300 | 102 | 108 | 282 | 620 | 20 | 42 kg |
| DN350 | 114 | 120 | 320 | 700 | 20 | 55 kg |
| DN400 | 127 | 133 | 360 | 825 | 20 | 110 kg |
| DN450 | 154 | 160 | 408 | 900 | 25 | 145 kg |
| DN500 | 165 | 171 | 432 | 1000 | 25 | 184 kg |
| DN600 | 190 | 196 | 520 | 1100 | 25 | 262 kg |
| DN700 | 203 | 208 | 550 | 1150 | 30 | 350 kg |
| DN800 | 216 | 224 | 585 | 1250 | 32 | 450 kg |

U-Type Double Flanged Butterfly Valve (Marine)

Dimensions per size (continued) · EFC-205

| SIZE | C | C1 | H | H1 | B | WEIGHT |
|---------------|-----|-----|------|------|----|---------|
| DN900 | 254 | 262 | 630 | 1350 | 34 | 582 kg |
| DN1000 | 254 | 262 | 770 | 1400 | 36 | 710 kg |
| DN1100 | 280 | 288 | 840 | 1500 | 40 | 1150 kg |
| DN1200 | 280 | 288 | 900 | 1700 | 40 | 1300 kg |
| DN1300 | 280 | 288 | 970 | 1800 | 44 | 1550 kg |
| DN1400 | 280 | 288 | 1025 | 1900 | 44 | 1810 kg |

All dimensions in millimetres unless stated otherwise. Values are nominal; tolerances confirmed at quote.