

BRONZE MARINE VALVE

# Disc Check Valve (Marine)

MODEL VDCV-16-40 REF EFC-204 ISSUED 05 Jun 2026

## SPECIFICATIONS

Size	DN15–DN200
Pressure	PN16–PN40
End connection	wafer (DIN 2501)
Face-to-face	DIN 3202/2-K4, DIN 3202/3-K4
Temperature	-60°C to 400°C

## STANDARDS

Design	ISO 5752
--------	----------



**MATERIALS**

body	<b>bronze, carbon steel, stainless steel</b>	disc	<b>stainless steel</b>
spring	<b>stainless steel</b>	seat	<b>bronze, carbon steel, stainless steel</b>

**FEATURES**

- Spring-assisted disc for both horizontal and vertical installation
- Available with or without spring
- Wafer-type body for installation between flanges
- Low minimum opening pressure
- Multiple material configurations: bronze, carbon steel, stainless steel

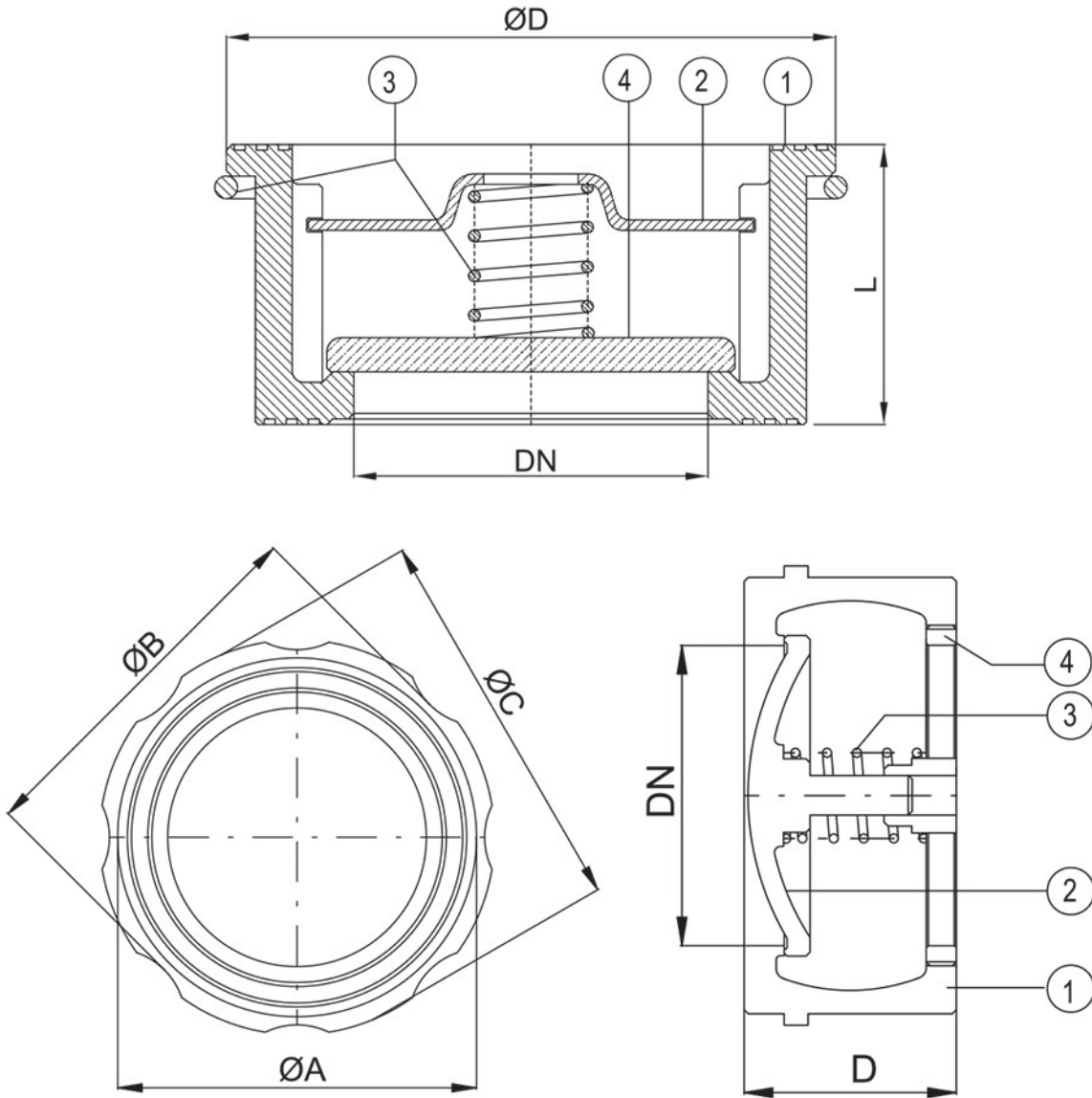
**PRESSURE-TEMPERATURE RATING**

CLASS	TEMPERATURE	MAX PRESSURE
PN16 Bronze	120°C	16 bar
PN16 Bronze	180°C	15 bar
PN16 Bronze	200°C	14 bar
PN16 Bronze	250°C	13 bar
PN40 Steel	120°C	40 bar
PN40 Steel	200°C	35 bar
PN40 Steel	300°C	28 bar
PN40 Steel	400°C	21 bar
PN40 AISI316	120°C	40 bar
PN40 AISI316	200°C	34 bar
PN40 AISI316	300°C	32 bar
PN40 AISI316	400°C	29 bar

BRONZE MARINE VALVE

# Disc Check Valve (Marine)

SECTION Technical drawing REF EFC-204



BRONZE MARINE VALVE

# Disc Check Valve (Marine)

SECTION Dimensions per size REF EFC-204

SIZE	OD	L	OA	OB	D	OC	WEIGHT
DN15	40	16	—	—	—	—	0.1 kg
DN20	47	19	—	—	—	—	0.135 kg
DN25	56	22	—	—	—	—	0.2 kg
DN32	72	28	—	—	—	—	0.46 kg
DN40	82	32	—	—	—	—	0.63 kg
DN50	95	40	—	—	—	—	0.98 kg
DN65	115	46	—	—	—	—	1.35 kg
DN80	132	50	—	—	—	—	2.08 kg
DN100	152	60	—	—	—	—	3.04 kg
DN125	—	—	184	194	90	—	9 kg
DN150	—	—	209	221	106	227	14 kg
DN200	—	—	276	287	140	—	24 kg

All dimensions in millimetres unless stated otherwise. Values are nominal; tolerances confirmed at quote.