

BRONZE MARINE VALVE

# Discharge (Overboard) Valve Straight Form VDDV-16 Angle Form VADV-16

MODEL VDDV-16 REF EFC-201 ISSUED 05 Jun 2026

## SPECIFICATIONS

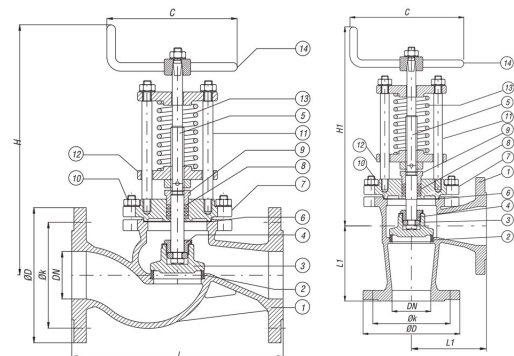
Size	DN15–DN300
Pressure	PN16
End connection	flanged (DIN 2533)
Face-to-face	DIN 3356/2-F1 (Straight), DIN 3356/2-F32 (Angle)

## ACTUATION

- manual handwheel — GG 25 handwheel

## APPLICATIONS

- marine overboard discharge



**MATERIALS**

body	<b>grey cast iron, ductile iron, cast carbon steel</b>	seat	<b>stainless steel, bronze</b>
disc	<b>stainless steel, bronze</b>	stem	<b>stainless steel, tin bronze</b>
gasket	<b>compressed fibre, asbestos substitute</b>	bonnet	<b>grey cast iron, ductile iron, cast carbon steel</b>
packing	<b>graphite</b>	spring	<b>stainless steel</b>
handwheel	<b>grey cast iron</b>		

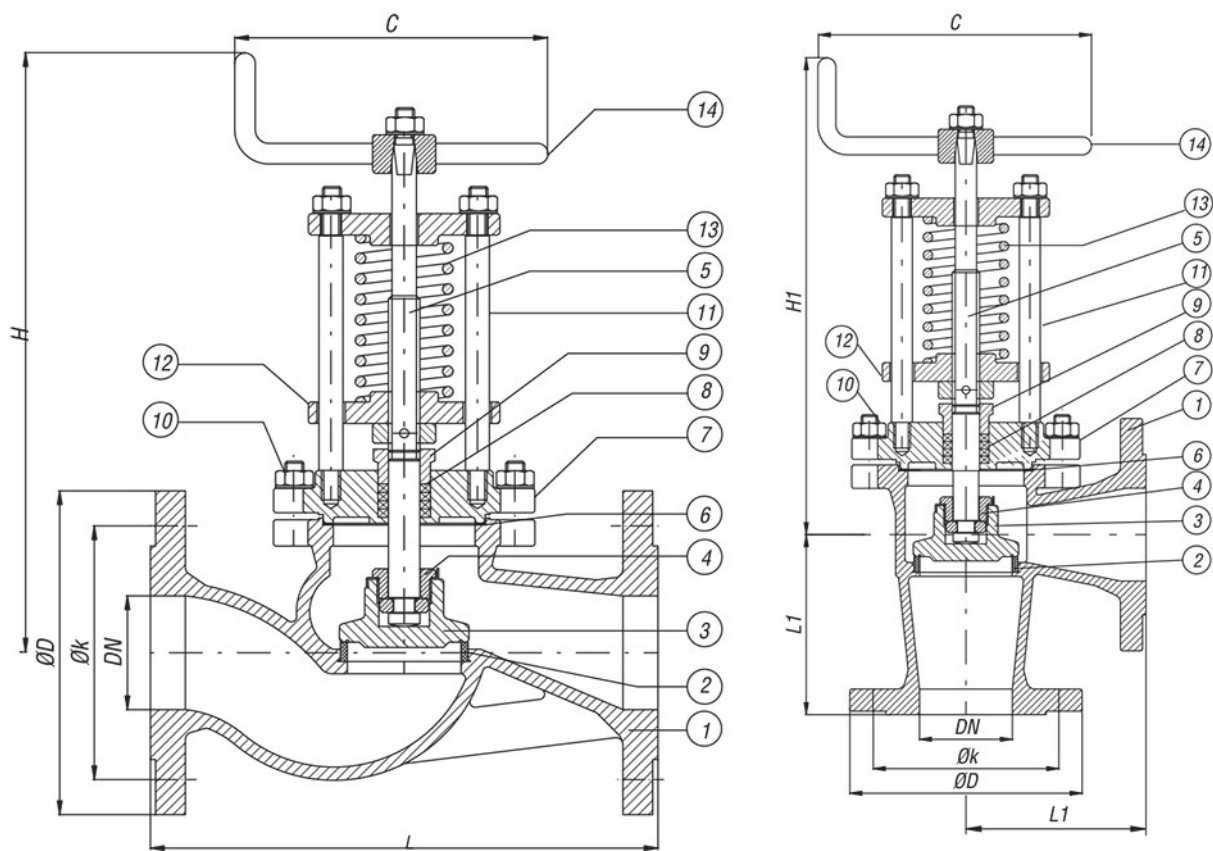
**FEATURES**

- Available in straight form (VDDV-16) and angle form (VADV-16)
- Spring-assisted closure mechanism
- Graphite packing for stem sealing
- Flanged end connections per DIN 2533
- Face-to-face dimensions per DIN 3356/2-F1 (straight) and DIN 3356/2-F32 (angle)
- Weights tabulated for both PN16 and PN40 flange drilling configurations

BRONZE MARINE VALVE

# Discharge (Overboard) Valve Straight Form VDDV-16 Angle Form VADV-16

SECTION Technical drawing REF EFC-201



BRONZE MARINE VALVE

## Discharge (Overboard) Valve Straight Form VDDV-16 Angle Form VADV-16

SECTION Dimensions per size REF EFC-201

SIZE	L	L1	H	H1	STROK	OC	OD_PN16	OK_PN16	OD_PN40	OK_PN40	WEIGHT
DN15	130	90	340	310	8	120	95	65	95	65	6.75 kg
DN20	150	95	345	325	8	120	105	75	105	75	7 kg
DN25	160	100	350	320	12	140	115	85	115	85	8 kg
DN32	180	105	355	323	15	140	140	100	140	100	10 kg
DN40	200	115	365	335	20	160	150	110	150	110	14 kg
DN50	230	125	375	340	20	160	165	125	165	125	16 kg
DN65	290	145	480	450	27	180	185	145	185	145	20 kg
DN80	310	155	500	465	31	200	200	160	200	160	32 kg
DN100	350	175	525	480	35	225	220	180	235	190	41 kg
DN125	400	200	620	515	49	250	250	210	270	220	60 kg
DN150	480	225	760	685	53	300	285	240	300	250	90 kg
DN200	600	275	810	745	72	400	340	295	375	320	145 kg
DN250	730	325	860	775	80	520	405	355	450	385	245 kg
DN300	850	375	880	790	100	520	460	410	515	450	380 kg

All dimensions in millimetres unless stated otherwise. Values are nominal; tolerances confirmed at quote.