

BRONZE MARINE VALVE

# Wafer Type Butterfly Valve (Marine)

MODEL VWKV-16 REF EFC-198 ISSUED 05 Jun 2026

## SPECIFICATIONS

Size	DN50–DN600
Pressure	PN16–PN25
End connection	wafer (TS 810) / wafer (TS 810) / wafer (DIN 2501)
Face-to-face	DIN 3337/K1, TS 11341

## STANDARDS

Design	DIN 3337/K1, TS 11341
--------	-----------------------



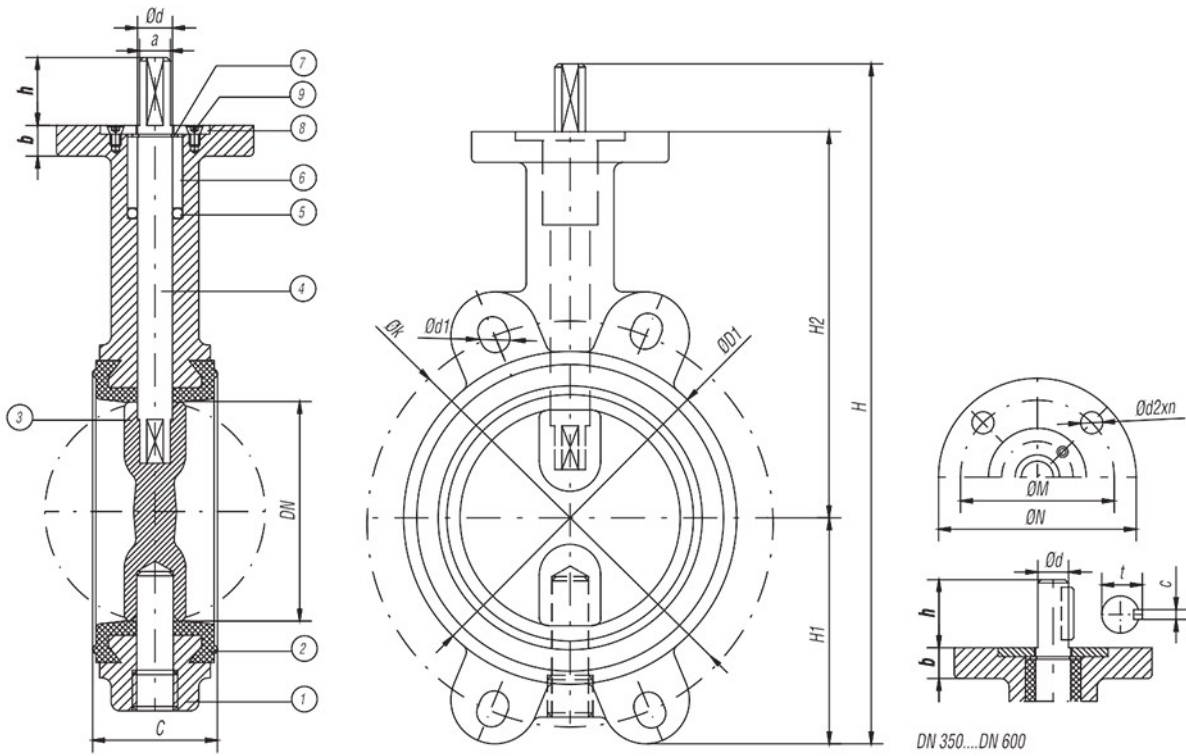
## MATERIALS

body	grey cast iron, ductile cast iron, cast steel, stainless steel	gasket	elastomer
disc	ductile cast iron, stainless steel, bronze	stem	stainless steel
o ring	elastomer	bushing	plastic, fluoropolymer

BRONZE MARINE VALVE

# Wafer Type Butterfly Valve (Marine)

SECTION Technical drawing REF EFC-198



BRONZE MARINE VALVE

# Wafer Type Butterfly Valve (Marine)

SECTION Dimensions per size REF EFC-198

SIZE	C	H1	H2	H_KOLLU	H_REDUKTORLU	OD1	WEIGHT
DN50	43	67	140	237	275	94	3.5 kg
DN65	46	74	152	254	294	112	4 kg
DN80	46	96	159	283	323	126	4.4 kg
DN100	52	110	177	315	355	152	6 kg
DN125	56	122	190	340	380	185	7.3 kg
DN150	56	136	203	367	407	210	8.5 kg
DN200	60	160	241	439	480	262	15.8 kg
DN250	68	201	273	512	553	316	22.4 kg
DN300	78	237	311	600	630	372	32.9 kg
DN350	78	267	350	—	784	—	54 kg
DN400	102	302	375	—	844	—	76 kg
DN450	114	325	400	—	892	—	93 kg
DN500	127	362	450	—	1008	—	133 kg
DN600	154	422	510	—	1128	—	198 kg

All dimensions in millimetres unless stated otherwise. Values are nominal; tolerances confirmed at quote.