

PLUG VALVE

# Plug Valves (3 way)

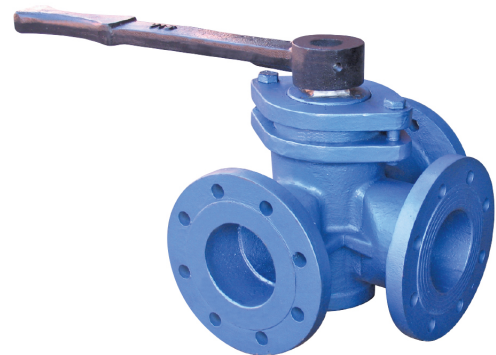
REF **EFC-191** ISSUED 05 Jun 2026

## SPECIFICATIONS

Size	<b>DN25–DN100</b>
Pressure	<b>PN10–PN16</b>
End connection	<b>flanged (DIN EN 1092) / flanged (BS 4504) / flanged (ASA 125) / flanged (ASA 150)</b>
Face-to-face	<b>BS 1735</b>

## ACTUATION

- manual lever — Lever operated



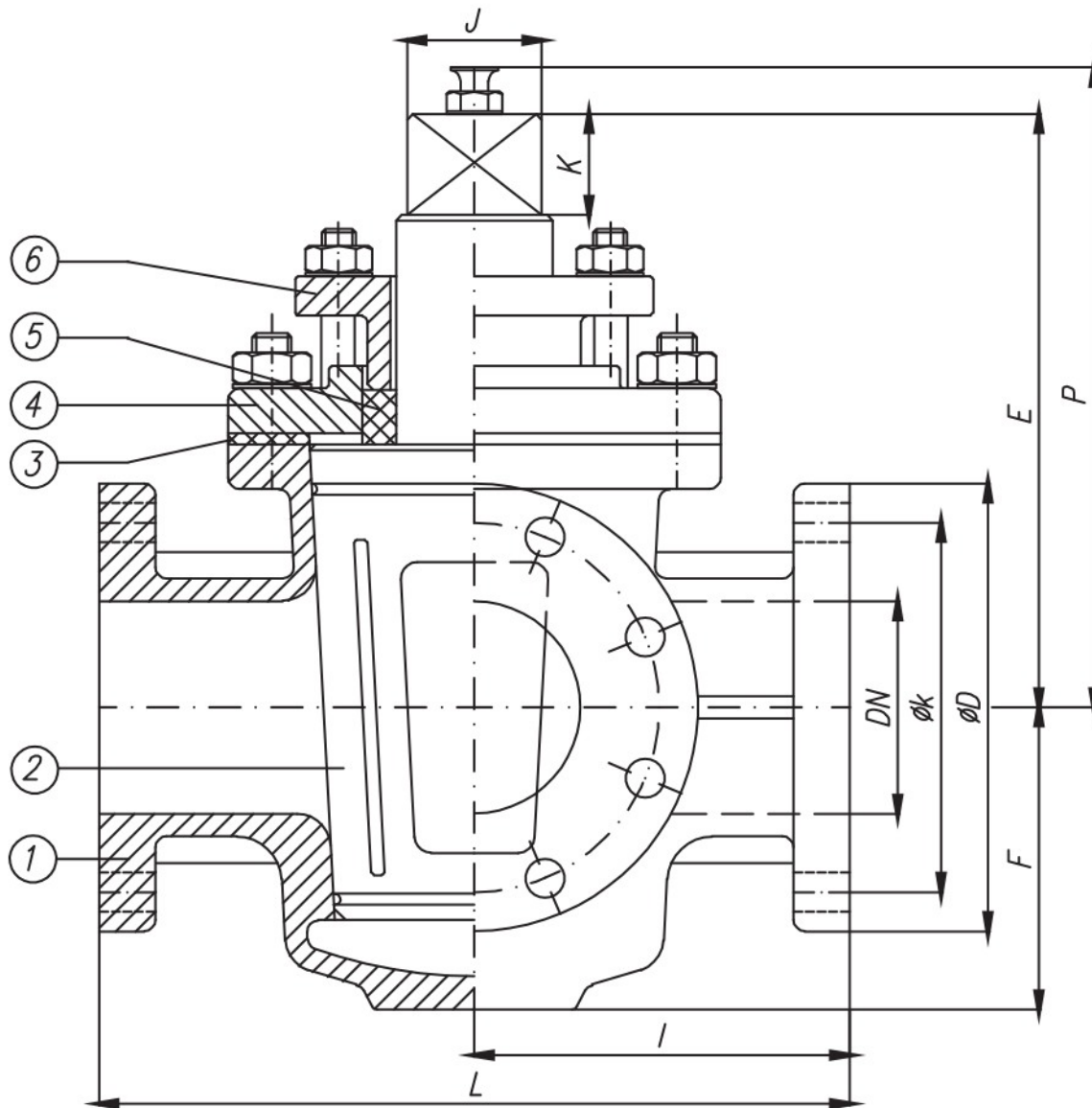
## MATERIALS

body	<b>bronze</b>	gasket	<b>elastomer, compressed fibre</b>
bonnet	<b>bronze</b>	packing	<b>PTFE/graphite composite</b>

PLUG VALVE

# Plug Valves (3 way)

SECTION Technical drawing REF EFC-191



PLUG VALVE

## Plug Valves (3 way)

SECTION Dimensions per size REF EFC-191

SIZE	L	I	E	F	P	J	K	WEIGHT
DN25	165	130	149	57	214	27	27	6.5 kg
DN32	203	150	165	65	230	27	27	10.5 kg
DN40	222	175	189	76	270	32	32	12 kg
DN50	241	190	211	95	292	38	38	20.5 kg
DN65	267	210	246	114	340	41	—	28 kg
DN80	305	265	260	143	360	48	51	36 kg
DN100	256	310	304	175	405	51	—	66 kg

All dimensions in millimetres unless stated otherwise. Values are nominal; tolerances confirmed at quote.