

PLUG VALVE

# Plug Valves (3 way)

REF **EFC-190** ISSUED 05 Jun 2026

## SPECIFICATIONS

Size	<b>DN25–DN100</b>
Pressure	<b>PN10–PN40</b>
End connection	<b>flanged (DIN EN 1092) / flanged (DIN EN 1092) / flanged (BS 4504) / flanged (BS 4504)</b>
Face-to-face	<b>BS 1735</b>
Temperature	<b>-25°C to 400°C</b>

## ACTUATION

- manual lever — lever handle



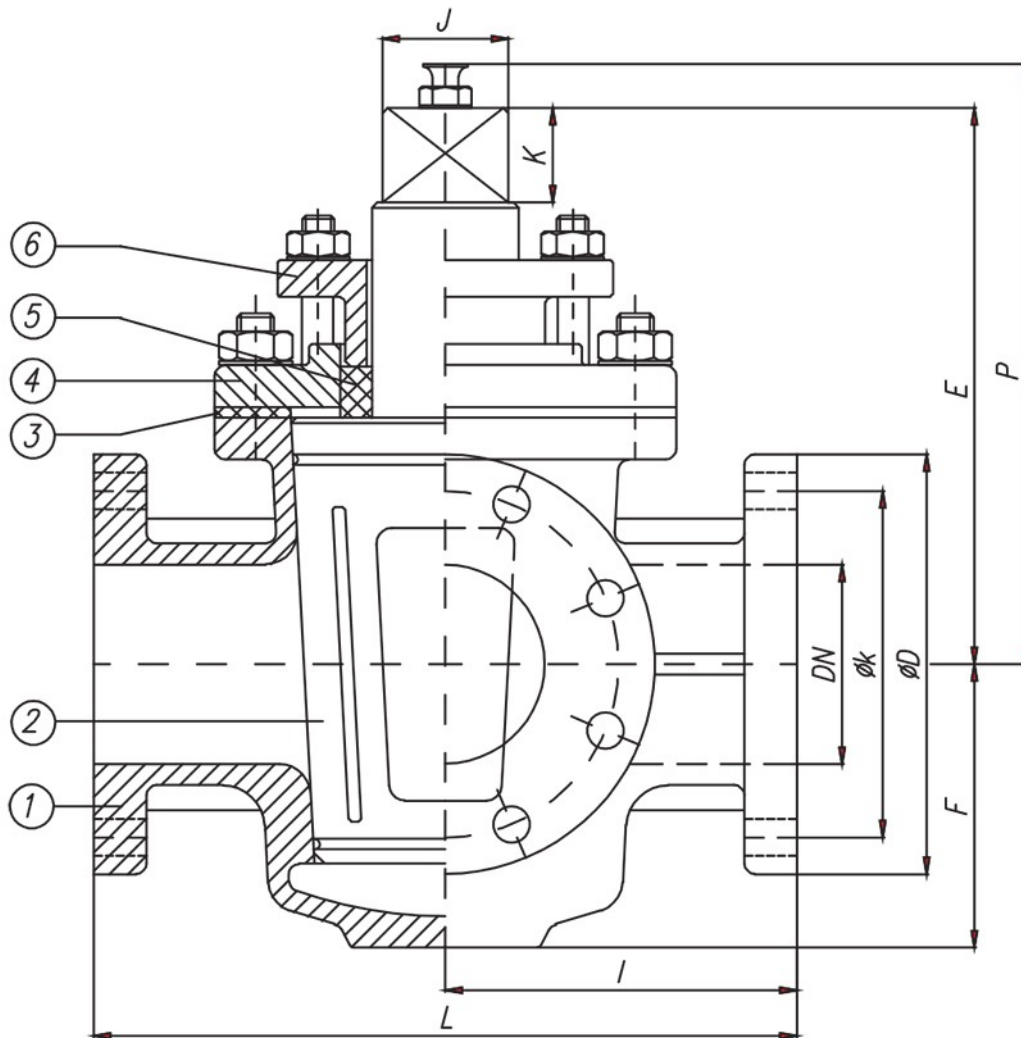
## MATERIALS

body	<b>grey cast iron, ductile iron, cast steel, stainless steel, bronze</b>	gasket	<b>elastomer, compressed fibre</b>
bonnet	<b>grey cast iron, ductile iron, cast steel, stainless steel, bronze</b>	packing	<b>PTFE / graphite composite</b>

PLUG VALVE

# Plug Valves (3 way)

SECTION Technical drawing REF EFC-190



PLUG VALVE

## Plug Valves (3 way)

SECTION Dimensions per size REF EFC-190

SIZE	L	E	F	P	J	K	WEIGHT
DN25	160	149	57	214	27	27	5.5 kg
DN32	180	165	65	230	27	27	8.5 kg
DN40	200	189	76	270	32	32	10 kg
DN50	230	211	95	292	38	38	17 kg
DN65	290	246	114	340	41	—	23 kg
DN80	310	260	143	360	48	51	30 kg
DN100	350	304	175	405	51	—	55 kg

All dimensions in millimetres unless stated otherwise. Values are nominal; tolerances confirmed at quote.