

OTHER

Threaded Needle Valves

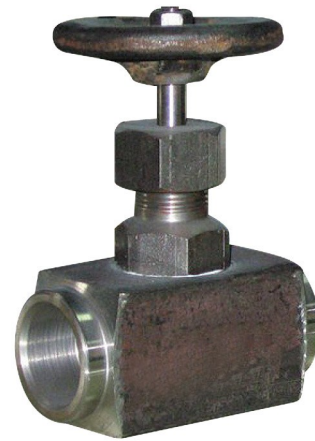
REF **EFC-188** ISSUED 05 Jun 2026

SPECIFICATIONS

Size	1/8"-2"
Pressure	PN 0-CLASS 1500
End connection	threaded (EN 10226-1) / threaded (ANSI-B16.11)
Face-to-face	EN 10226-1, ANSI-B16.11
Temperature	-60°C to 500°C

ACTUATION

- manual handwheel



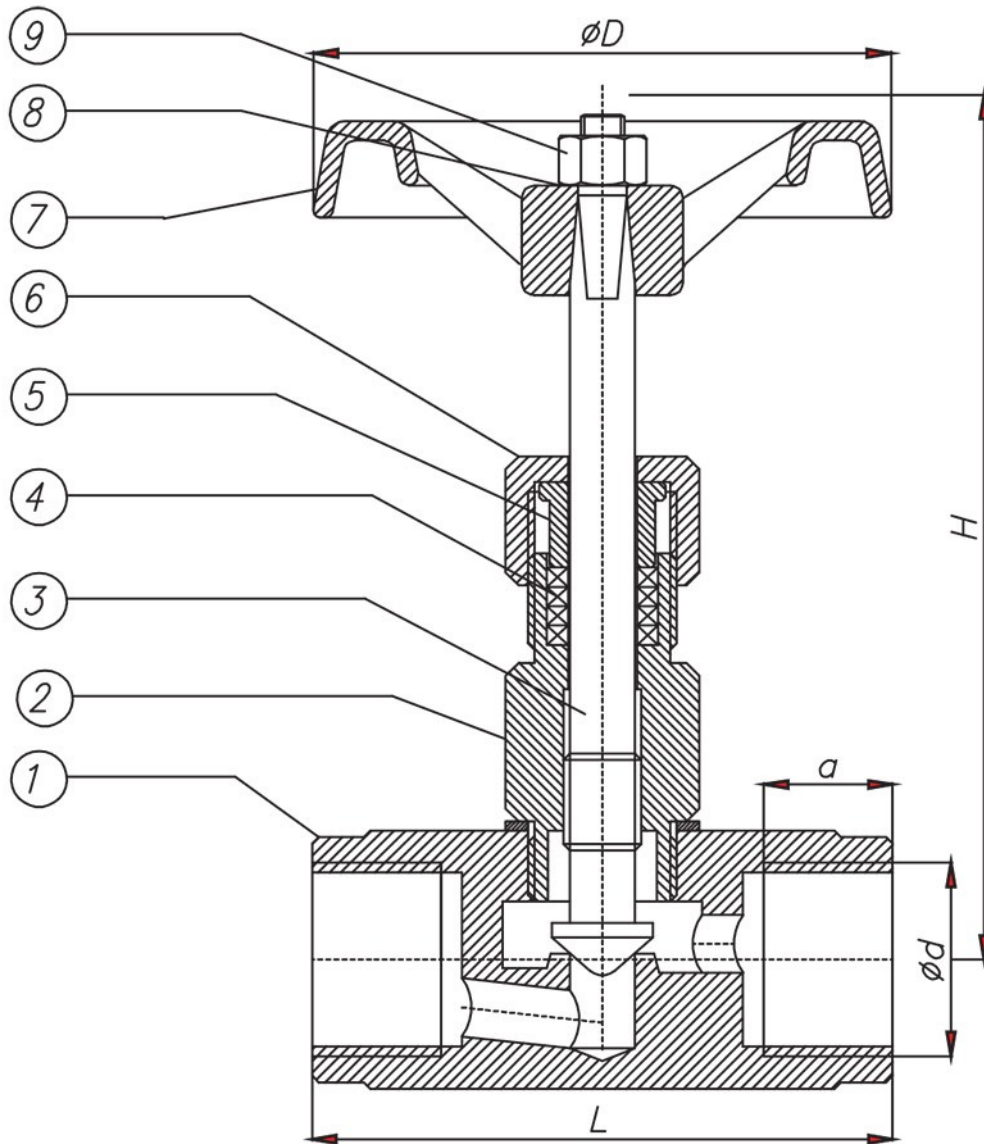
MATERIALS

body	brass, carbon steel, stainless steel	bonnet	brass, carbon steel, stainless steel
stem	brass, stainless steel	packing	graphite
handwheel	aluminium, cast iron, stainless steel		

OTHER

Threaded Needle Valves

SECTION Technical drawing REF EFC-188



OTHER

Threaded Needle Valves

SECTION Dimensions per size REF EFC-188

SIZE	OD	A	L	H	OD	WEIGHT
DN4	1/8" inch	11	50	85	60	0.04 kg
DN6	1/4" inch	11	50	85	60	0.04 kg
DN10	3/8" inch	12	55	95	60	0.5 kg
DN15	1/2" inch	14	65	112	75	0.1 kg
DN20	3/4" inch	17	75	122	75	1.05 kg
DN25	1" inch	20	90	146	90	2.45 kg
DN32	1 1/4" inch	22	95	173	100	3.2 kg
DN40	1 1/2" inch	25	100	192	125	4.35 kg
DN50	2" inch	28	112	216	125	7.3 kg

All dimensions in millimetres unless stated otherwise. Values are nominal; tolerances confirmed at quote.