

OTHER

# Thermodynamic Steam Trap

MODEL VTDK-16 REF EFC-186 ISSUED 05 Jun 2026

## SPECIFICATIONS

Size	DN15–DN25
Pressure	PN16
End connection	threaded (ISO 228/1)
Face-to-face	ISO 228/1



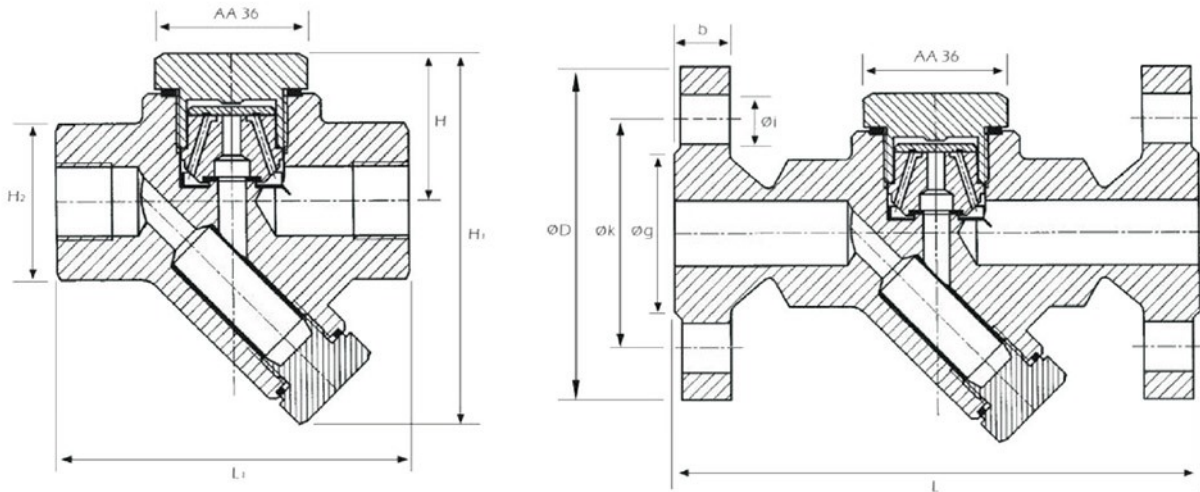
## MATERIALS

body	carbon steel	bonnet	stainless steel
disc	stainless steel	seat	stainless steel

OTHER

# Thermodynamic Steam Trap

SECTION Technical drawing REF EFC-186



OTHER

# Thermodynamic Steam Trap

SECTION Dimensions per size REF EFC-186

SIZE	L-L1	H-H1-H2	D	B	K	G	I
DN15	150-95	40-100-42	95	16	65	45	14
DN20	150-95	40-100-42	105	18	75	58	14
DN25	160-95	40-100-42	115	18	85	68	14

All dimensions in millimetres unless stated otherwise. Values are nominal; tolerances confirmed at quote.