

OTHER

Invert Bucket Steam Trap (Bottom Inlet-Top Outlet)

REF **EFC-183** ISSUED 05 Jun 2026

SPECIFICATIONS

Size	DN15–DN50
Pressure	PN16
End connection	threaded (ISO 228/1)
Face-to-face	ISO 228/1
Media	steam, condensate



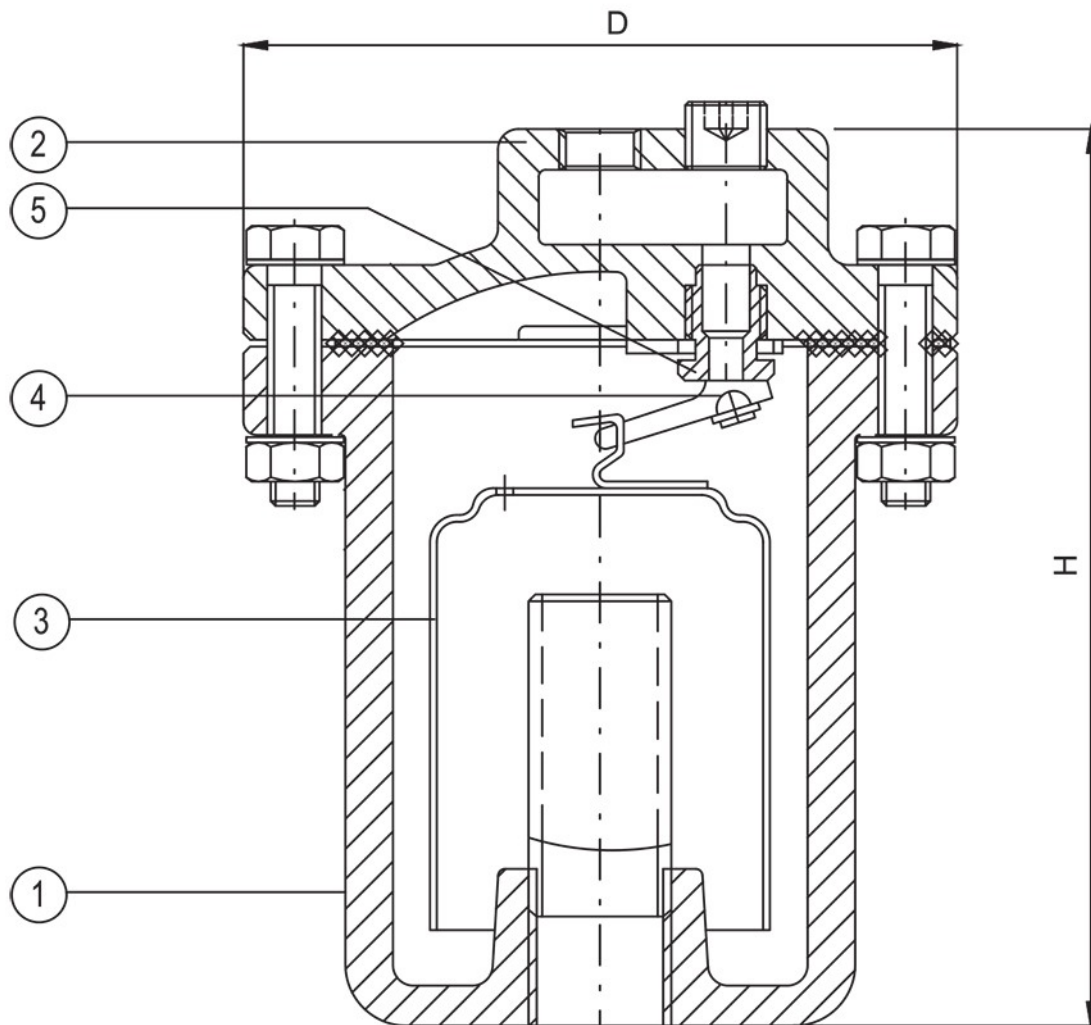
MATERIALS

body	grey cast iron, ductile cast iron	bonnet	grey cast iron, ductile cast iron
------	--	--------	--

OTHER

Invert Bucket Steam Trap (Bottom Inlet-Top Outlet)

SECTION Technical drawing REF EFC-183



OTHER

Invert Bucket Steam Trap (Bottom Inlet-Top Outlet)

SECTION Dimensions per size REF EFC-183

SIZE	G	L	A	WEIGHT
DN15	108	160	R1/2" inch	2.8 kg
DN20	136	200	R3/4" inch	6 kg
DN25	184	270	R1" inch	13 kg
DN32	188	310	R1 1/4" inch	16 kg
DN40	216	360	R1 1/2" inch	24 kg
DN50	280	425	R2" inch	45 kg

All dimensions in millimetres unless stated otherwise. Values are nominal; tolerances confirmed at quote.