

OTHER

Pressure Reducing Valve

MODEL VPRV-10-16-25 REF EFC-182 ISSUED 05 Jun 2026

SPECIFICATIONS

Size **DN40–DN500**

Pressure **PN10–PN25**

End connection **flanged**

COATINGS & LINING

- EPOXY Kaplama (seat surface)



MATERIALS

body	ductile iron	disc	carbon steel with EPDM seal
seat	epoxy coating	stem	stainless steel

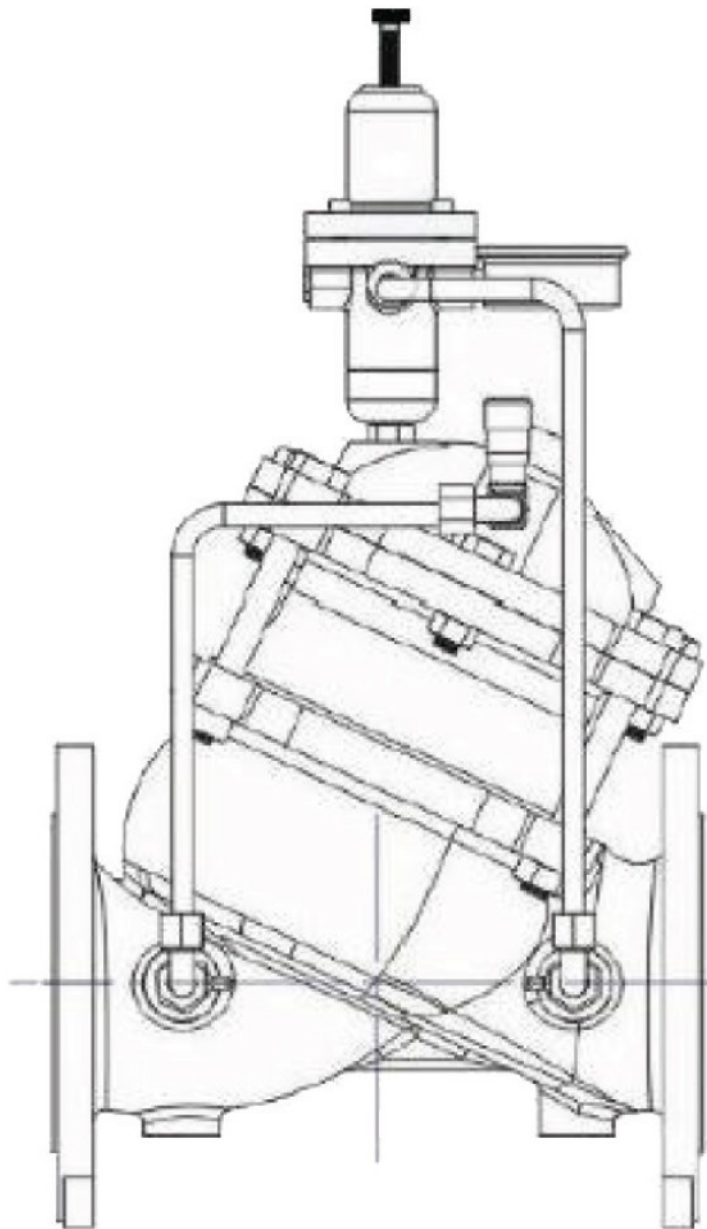
FEATURES

- Diaphragm-operated globe-pattern body
- Pilot valve control for downstream pressure regulation
- Neoprene-reinforced rubber diaphragm
- EPOXY-coated seat surface
- EPDM disc sealing
- Needle valve for flow adjustment
- Integral manometer port (Ø63)
- Stainless steel stem (AISI 304)
- Tin bronze gland bushing (CuSn10)

OTHER

Pressure Reducing Valve

SECTION Technical drawing REF EFC-182



OTHER

Pressure Reducing Valve

SECTION Dimensions per size REF EFC-182

SIZE	A_B	C	L	H	WEIGHT
DN40	210	180	205	260	11.8 kg
DN50	210	180	210	265	15 kg
DN65	210	180	222	278	18.4 kg
DN80	230	230	264	332	32 kg
DN100	255	275	335	422	56 kg
DN150	290	385	433	542	106 kg
DN200	335	460	524	666	190 kg
DN250	380	580	637	783	307 kg
DN300	405	685	762	961	505 kg
DN400	505	965	1024	1179	1070 kg
DN450	505	965	1030	1208	1095 kg
DN500	505	965	1136	1241	1129 kg

All dimensions in millimetres unless stated otherwise. Values are nominal; tolerances confirmed at quote.