

OTHER

Sounding Cocks PN 4 360 Turning Lever

REF **EFC-181** ISSUED 05 Jun 2026

SPECIFICATIONS

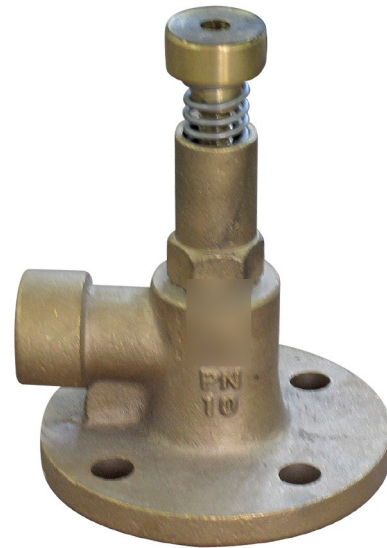
Size	DN32–DN65
Pressure	PN 2.5
End connection	threaded (DIN 259 / ISO R 228)

ACTUATION

- manual lever — 360° rotating lever, GG-25 grey cast iron

STANDARDS

Design	DIN 86 120
--------	-------------------



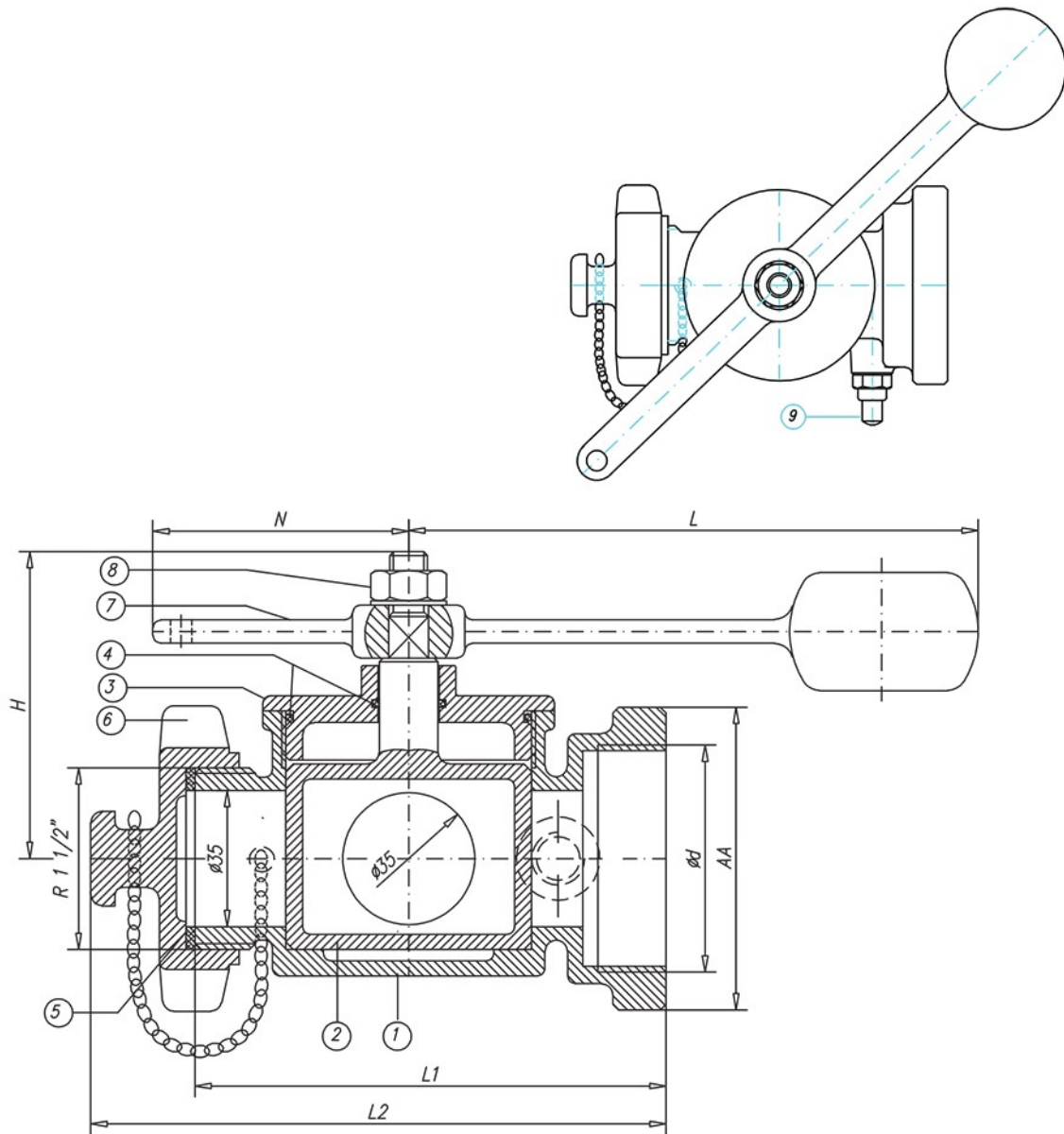
MATERIALS

body	bronze	bonnet	bronze
o ring	elastomer	gasket	elastomer

OTHER

Sounding Cocks PN 4 360 Turning Lever

SECTION Technical drawing REF EFC-181



OTHER

Sounding Cocks PN 4 360 Turning Lever

SECTION Dimensions per size REF EFC-181

SIZE	L1	L2	H	AA	L	N	OD	WEIGHT
DN32	120	135	85	55	180	95	null inch	3.5 kg
DN40	125	140	85	55	180	95	null inch	4 kg
DN50	125	140	85	70	180	95	null inch	4.5 kg
DN65	130	145	85	85	180	95	null inch	5 kg

All dimensions in millimetres unless stated otherwise. Values are nominal; tolerances confirmed at quote.