

OTHER

# Sounding Cocks Valve 90 Stop Turning Lever

REF **EFC-180** ISSUED 05 Jun 2026

## SPECIFICATIONS

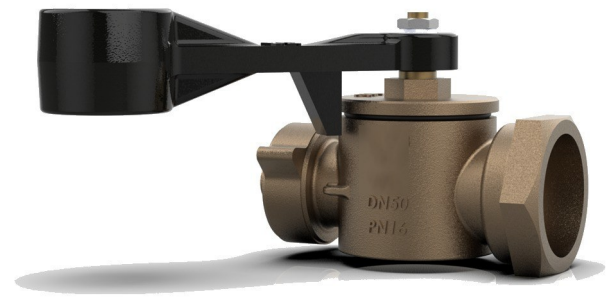
Size	<b>DN32–DN65</b>
Pressure	<b>PN 2.5</b>
End connection	<b>threaded (DIN 259 / ISO R 228)</b>
Media	<b>sounding / tank gauging applications</b>

## ACTUATION

- manual lever — 90° stop turning lever, GG-25 handle lever

## STANDARDS

Design	<b>DIN 86 120</b>
--------	-------------------



## MATERIALS

body	<b>gunmetal / leaded tin bronze</b>	bonnet	<b>gunmetal / leaded tin bronze</b>
o ring	<b>nitrile rubber</b>	gasket	<b>nitrile rubber</b>

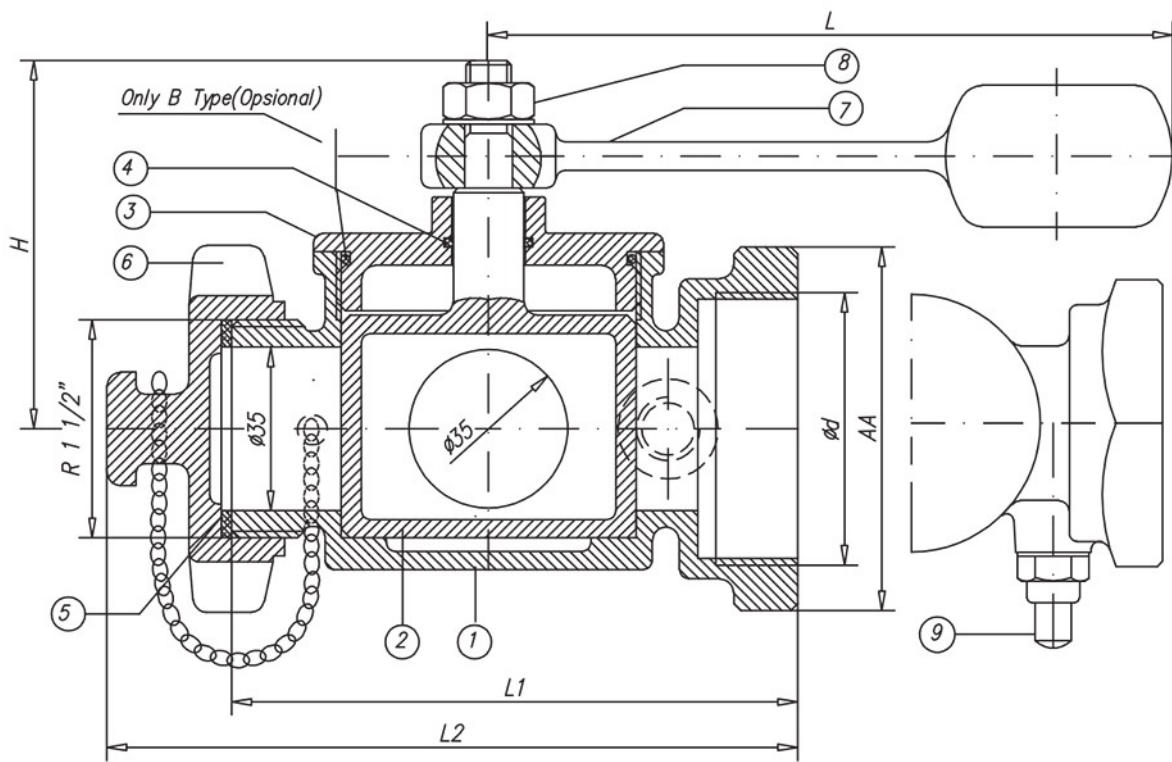
## FEATURES

- Full bore design
- 90° stop turning lever operation
- Threaded end connections
- Integrated test valve (item 9)
- Dust cap included
- Optional Type B configuration available

OTHER

# Sounding Cocks Valve 90 Stop Turning Lever

SECTION Technical drawing REF EFC-180



OTHER

## Sounding Cocks Valve 90 Stop Turning Lever

SECTION Dimensions per size REF EFC-180

SIZE	L1	L2	H	OD	AA	L	WEIGHT
DN32	120	135	85	1 1/4" inch	55	190	3.5 kg
DN40	125	140	85	1 1/2" inch	55	190	4 kg
DN50	125	140	85	2" inch	70	190	4.5 kg
DN65	130	145	85	2 1/2" inch	85	190	5 kg

All dimensions in millimetres unless stated otherwise. Values are nominal; tolerances confirmed at quote.