

OTHER

Bronze Pressure Reducing Valve

MODEL **VPRV-20** REF **EFC-178** ISSUED **05 Jun 2026**

SPECIFICATIONS

Size	DN15–DN100
Pressure	20 bar
End connection	threaded (BSPT)
Temperature	0°C to 170°C
Media	water, gas

APPLICATIONS

- water
- gas



MATERIALS

body	bronze	o ring	elastomer
bonnet	bronze	spring	alloy steel
disc	brass	gasket	elastomer
stem	brass		

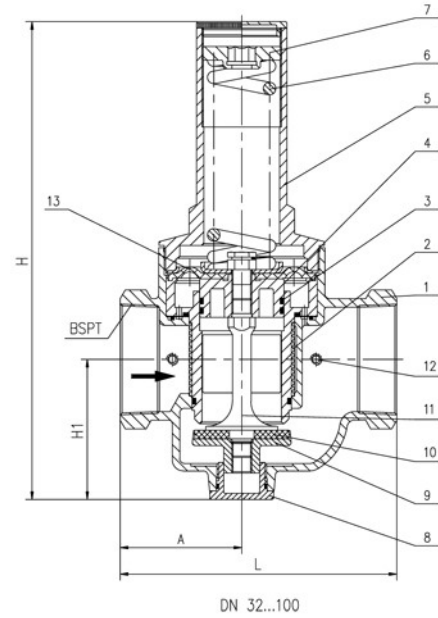
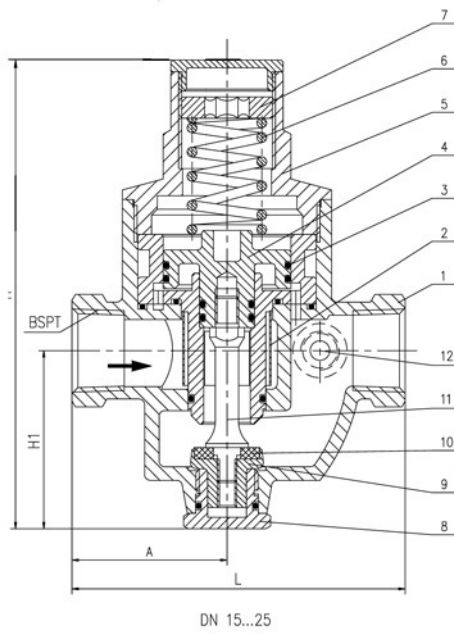
FEATURES

-
- Diaphragm-type pressure reducing mechanism
 - Adjustable outlet pressure
 - Outlet pressure range DN15–DN25: 1–4 bar
 - Outlet pressure range DN32–DN100: 1–5 bar
 - Two construction variants: DN15–25 and DN32–100 with differing internal geometry
 - Integral mesh strainer element

OTHER

Bronze Pressure Reducing Valve

SECTION Technical drawing REF EFC-178



OTHER

Bronze Pressure Reducing Valve

SECTION Dimensions per size REF EFC-178

SIZE	L	A	H	H1	L1
DN15	89	41.5	121	46	—
DN20	92	43	121	46	—
DN25	98	46	121	46	—
DN32	126	55	192	62	—
DN40	126	55.5	192	62	—
DN50	168	—	272	85	72
DN65	174	—	272	85	75.5
DN80	225	—	385	113	98.5
DN100	230	—	385	113	104.5

All dimensions in millimetres unless stated otherwise. Values are nominal; tolerances confirmed at quote.