

OTHER

# Flange Adaptor

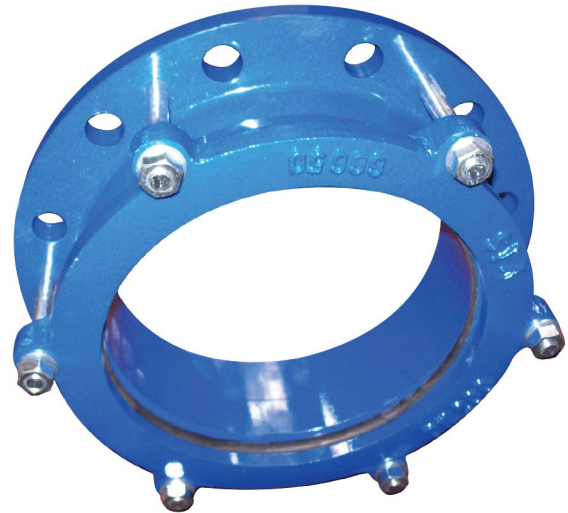
MODEL VFA-10-16 REF EFC-176 ISSUED 05 Jun 2026

## SPECIFICATIONS

Size	DN50–DN1000
Pressure	PN10–PN16
End connection	flanged (EN 1092-2) / flanged (ASME B16.5)
Face-to-face	EN 1092-2, ASME B16.5

## STANDARDS

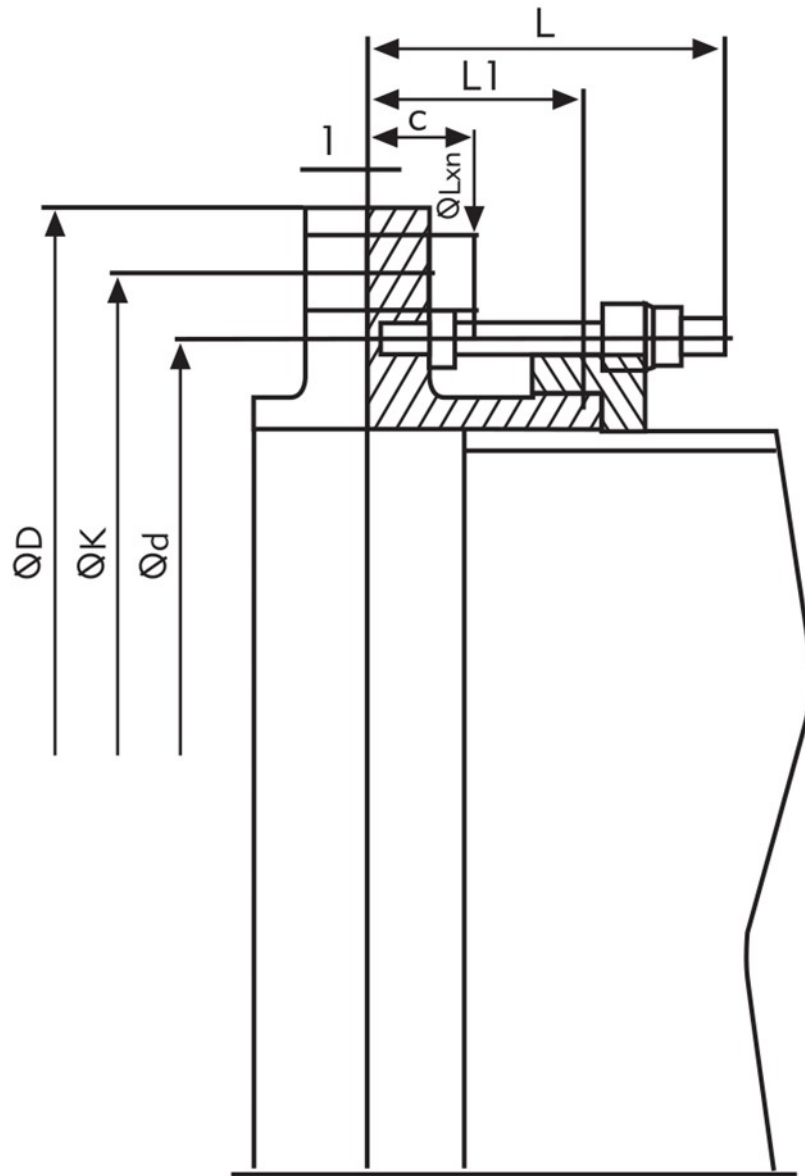
Test	EN 12266
------	----------



OTHER

# Flange Adaptor

SECTION Technical drawing REF EFC-176



OTHER

# Flange Adaptor

SECTION Dimensions per size REF EFC-176

SIZE	PN	OD	OK	OD	C	F	OLXN	L	L1
DN50	10/16	165	125	99	19	3	19x4	105	75
DN65	10/16	185	145	118	19	3	19x4	105	75
DN80	10/16	200	160	132	19	3	19x8	110	75
DN100	10/16	220	180	156	19	3	19x8	120	75
DN125	10/16	250	210	184	19	3	19x8	135	75
DN150	10/16	285	240	211	19	3	23x8	135	75
DN200	10	340	295	266	20	3	23x8	135	75
DN200	16	340	295	266	20	3	23x12	135	75
DN250	10	395	350	319	22	3	23x12	140	75
DN250	16	405	355	319	22	3	28x12	140	75
DN300	10	445	400	370	25	4	23x12	135	75
DN300	16	460	410	370	25	4	28x12	135	75
DN350	10	505	460	429	25	4	23x16	150	85
DN350	16	520	470	429	27	4	28x16	150	85
DN400	10	565	515	480	25	4	28x16	150	100
DN400	16	580	525	480	28	4	31x16	150	100
DN500	10	670	620	582	27	4	28x20	165	100

## Flange Adaptor

Dimensions per size (continued) · EFC-176

SIZE	PN	OD	OK	OD	C	F	OLXN	L	L1
<b>DN500</b>	16	715	650	609	32	4	34x20	165	100
<b>DN600</b>	10	780	725	682	30	5	31x20	165	100
<b>DN600</b>	16	840	770	720	36	5	37x20	165	100
<b>DN700</b>	10	895	840	794	33	5	31x24	165	100
<b>DN700</b>	16	910	840	794	40	5	37x24	165	100
<b>DN800</b>	10	1015	950	901	35	5	34x24	165	100
<b>DN800</b>	16	1025	950	901	43	5	41x24	165	100
<b>DN900</b>	10	1115	1050	1001	38	5	34x28	180	115
<b>DN900</b>	16	1125	1050	1001	47	5	41x28	180	115
<b>DN1000</b>	10	1230	1160	1112	40	5	37x28	180	115
<b>DN1000</b>	16	1255	1170	1112	40	5	44x28	180	115

All dimensions in millimetres unless stated otherwise. Values are nominal; tolerances confirmed at quote.